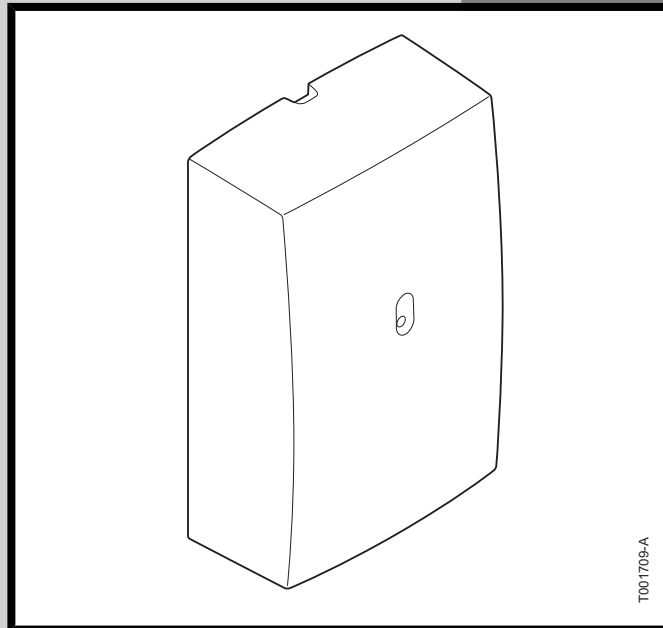
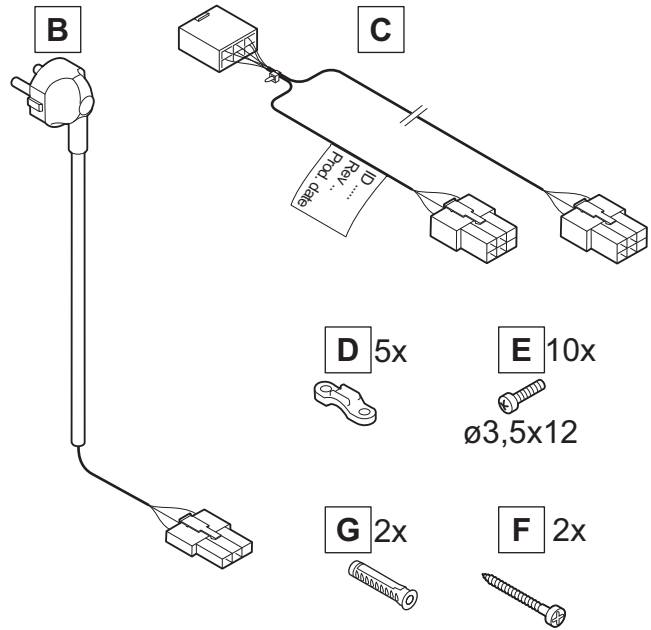
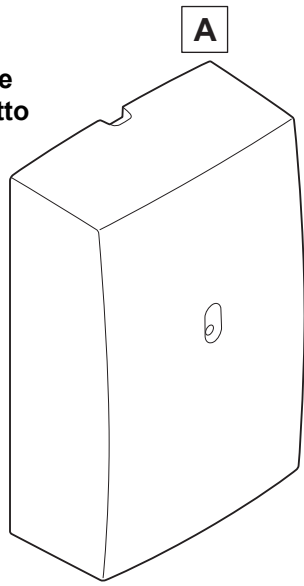


**Montage instructie**  
**Assembly instructions**  
**Instructions de montage**  
**Montageanweisung**  
**Instrucciones para el montaje**  
**Istruzioni di montaggio**

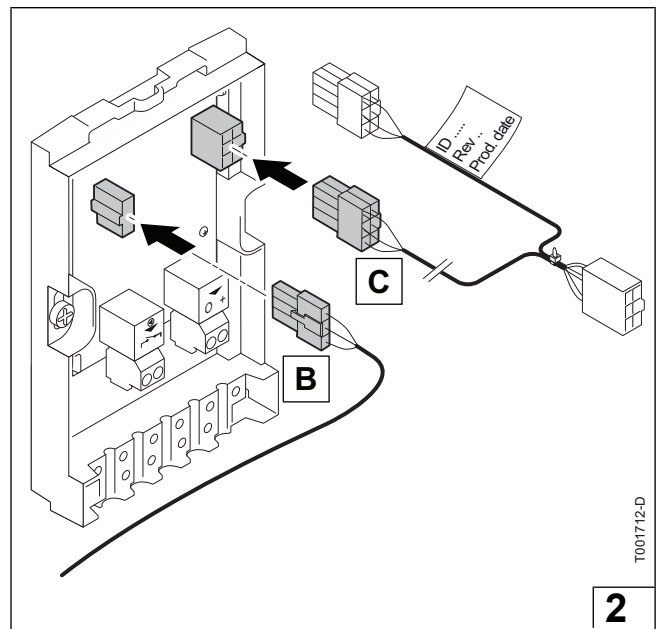
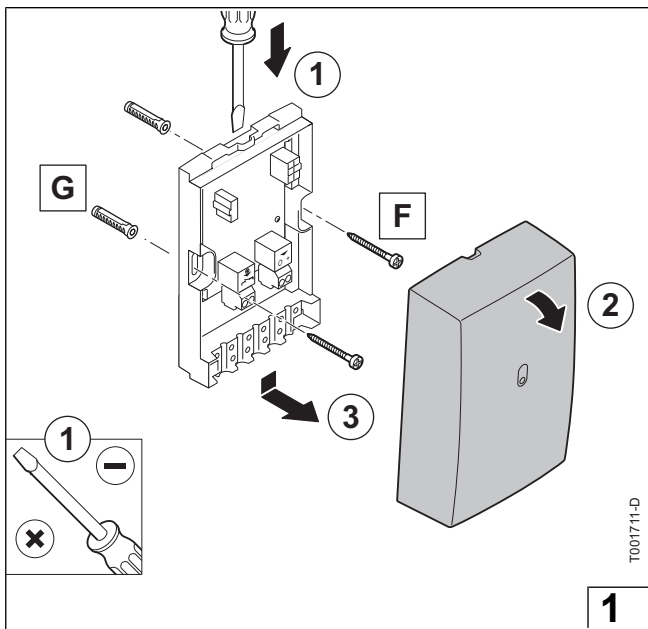
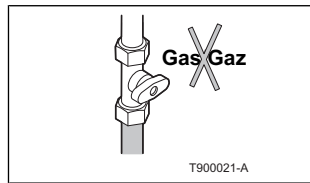
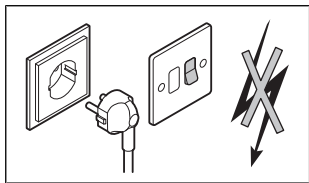
**Interface (SCU-X03)**  
**Print interface (SCU-X03)**  
**Platine interface (SCU-X03)**  
**Platine (SCU-X03)**  
**Circuito impresso (SCU-X03)**  
**Interfaccia di stampa (SCU-X03)**

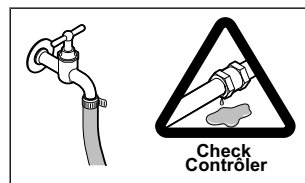
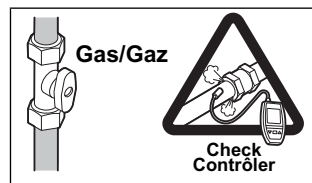
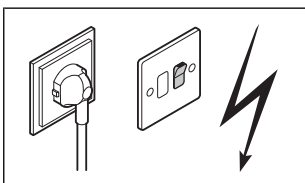
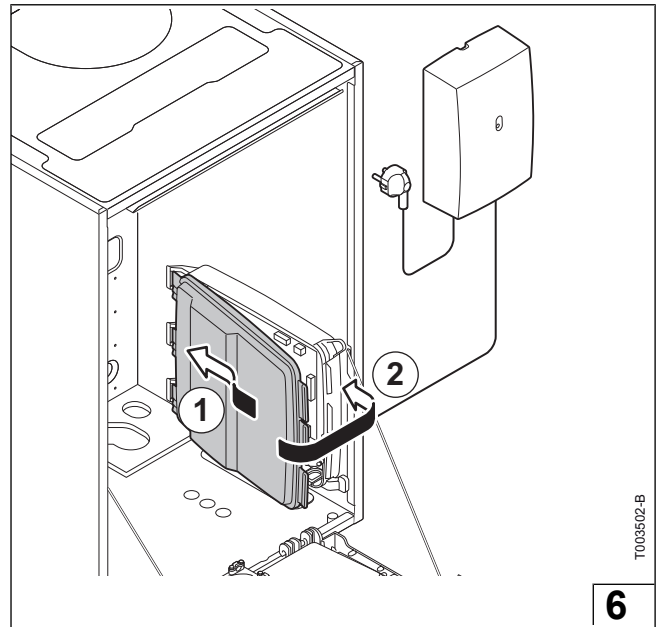
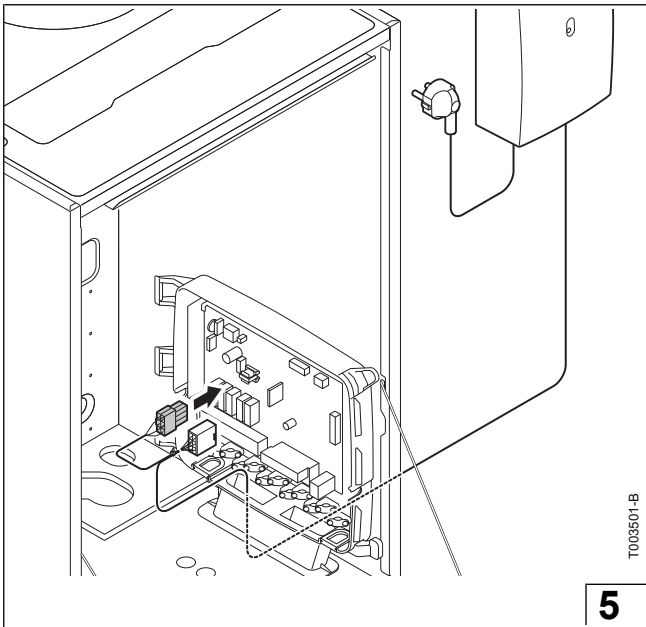
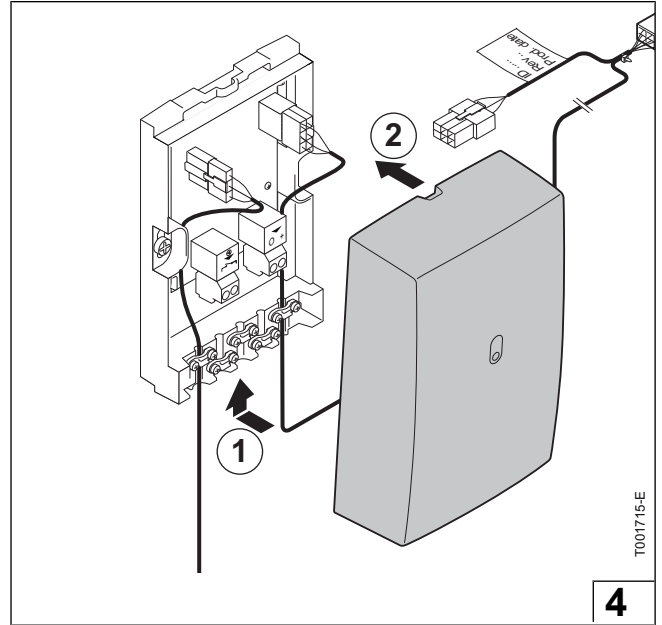
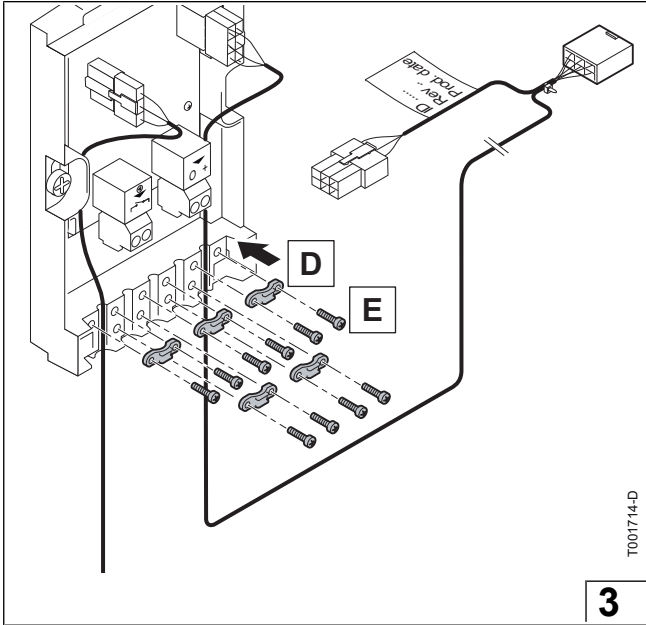


Inhoud verpakking  
 Set contents  
 Contenu du kit  
 Inhalt des Bausatzes  
 Contenido del paquete  
 Contenuti del pacchetto



T001710-D





© **Copyright**

All technical and technological information contained in these technical instructions, as well as any drawings and technical descriptions supplied, remain our property and shall not be multiplied without our prior consent in writing.

Ours is a policy of continuous development. We reserve the right to alter specifications without prior notification.

Subject to alterations.

124653-111110



124653