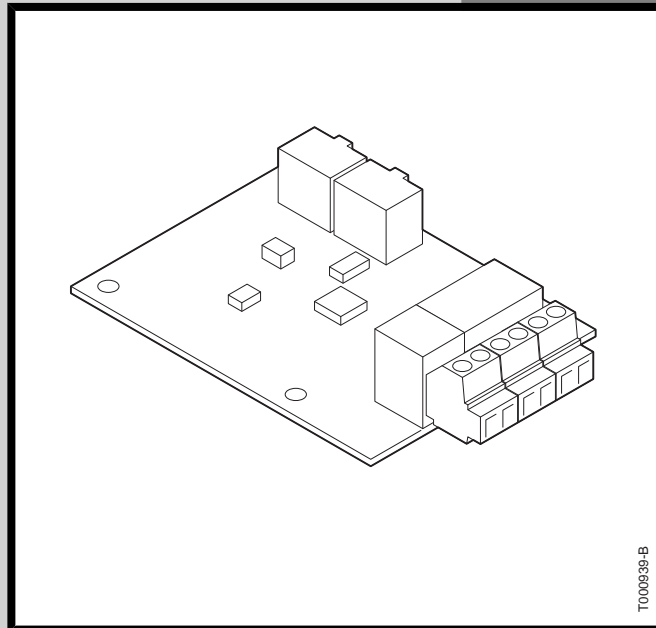
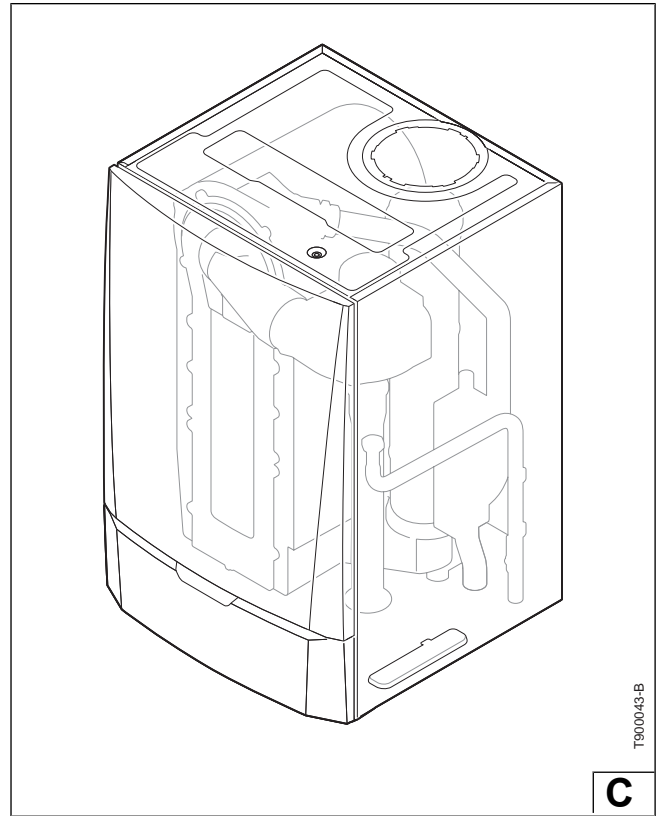
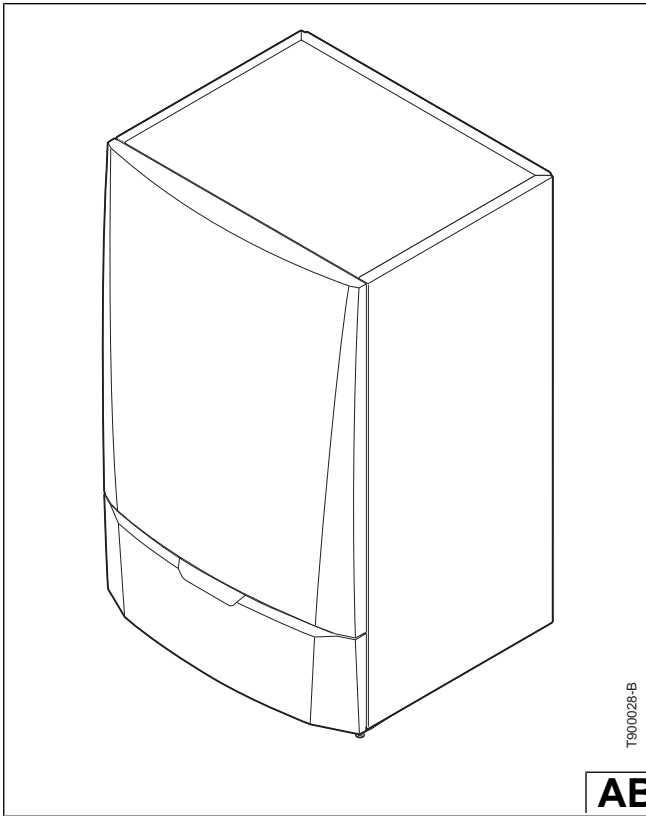


Montage instructie
Assembly instructions
Instructions de montage
Montageanweisung
Instrucciones para el montaje
Istruzioni di montaggio

Besturingsprint SCU-S03
Electronic print SCU-S03
SCU-S03 Platine
SCU-S03 Platine
Circuito impresso SCU-S03
Stampa SCU-S03





Inhoud verpakking

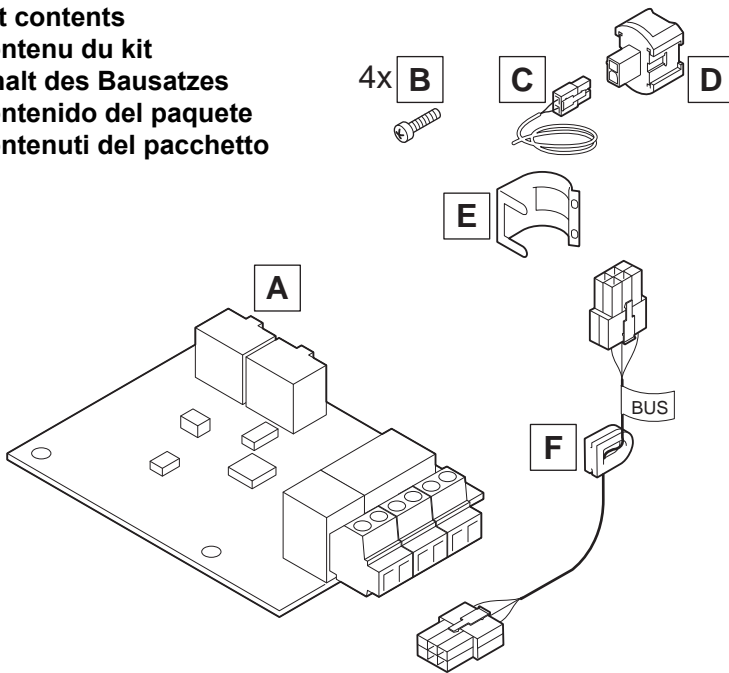
Set contents

Contenu du kit

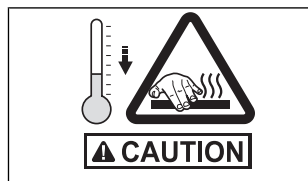
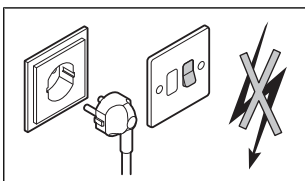
Inhalt des Bausatzes

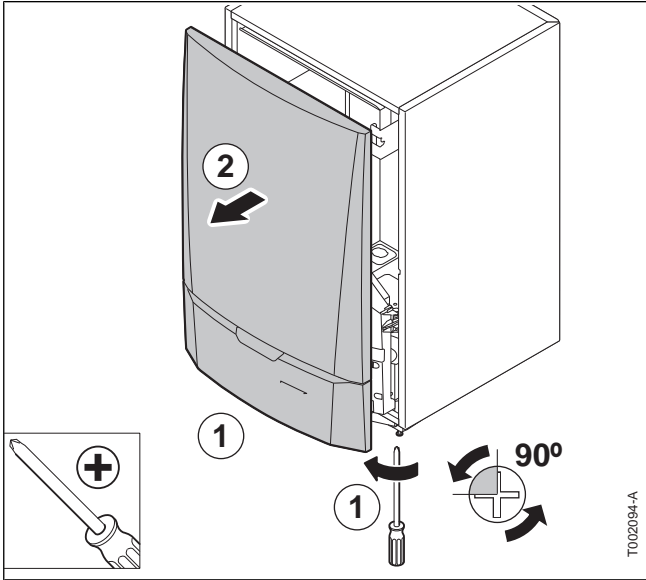
Contenido del paquete

Contenuti del pacchetto

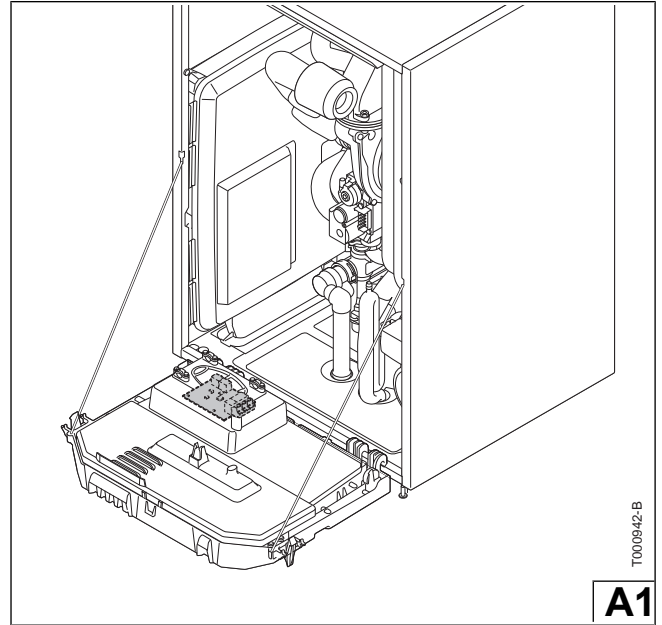


T000941-C



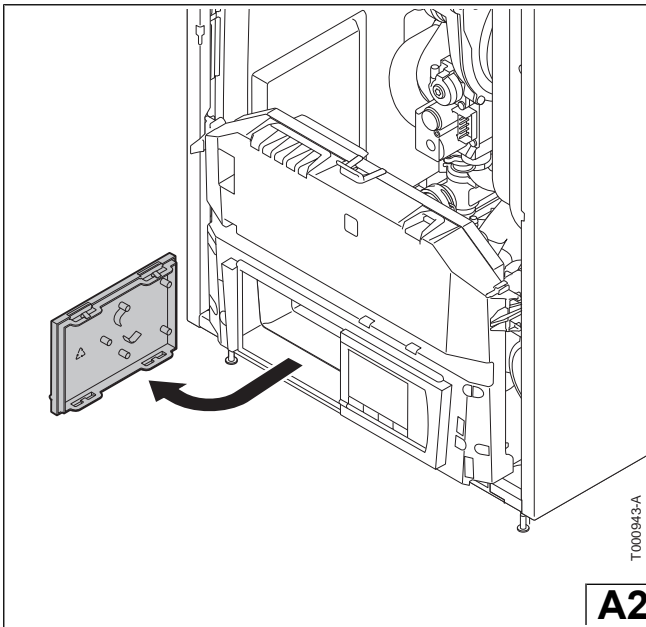


T000944-A



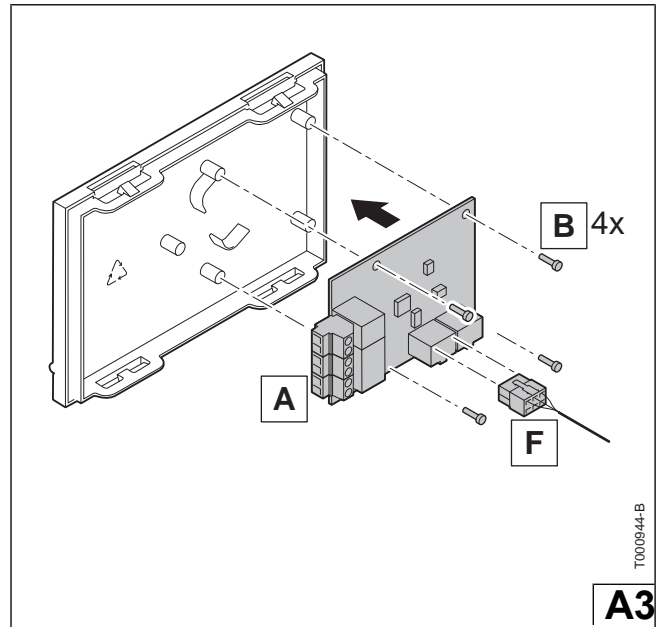
T000942-B

A1



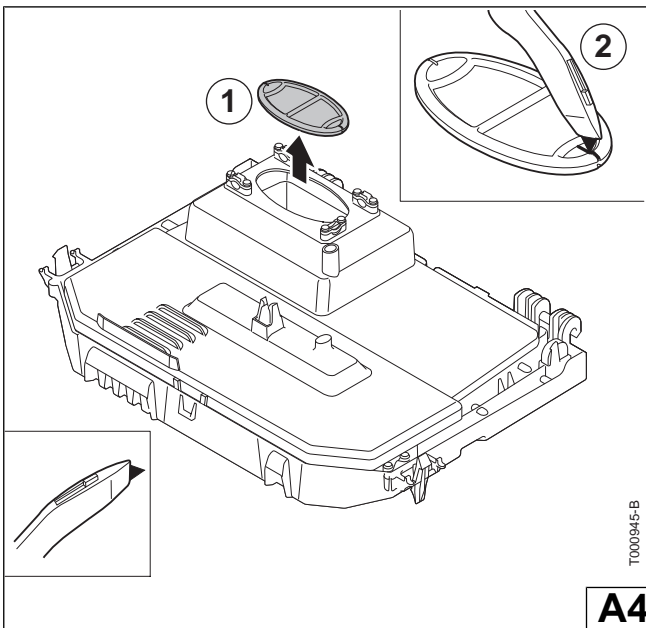
T000943-A

A2



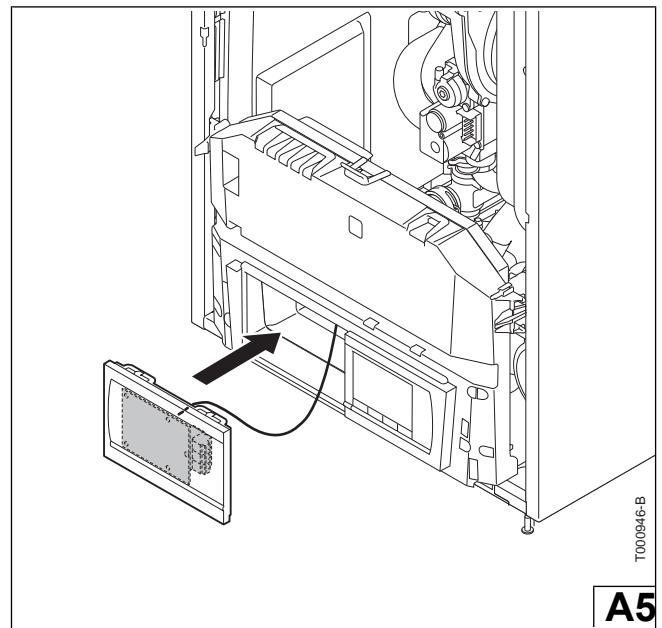
T000944-B

A3



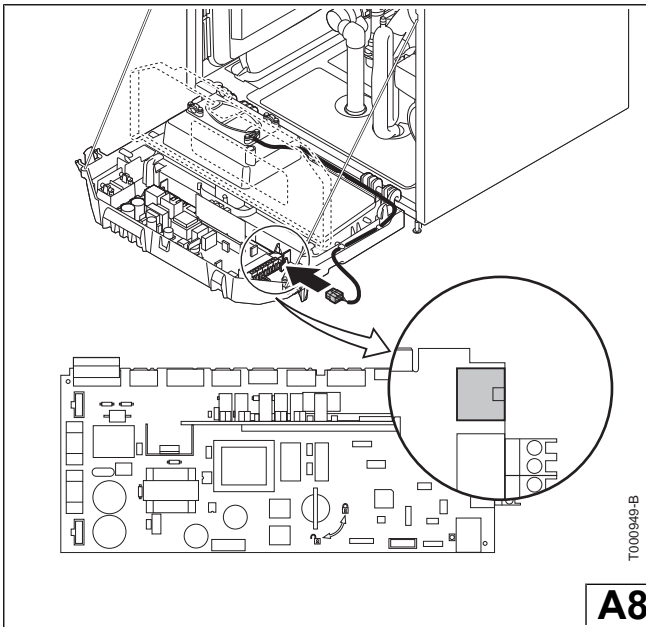
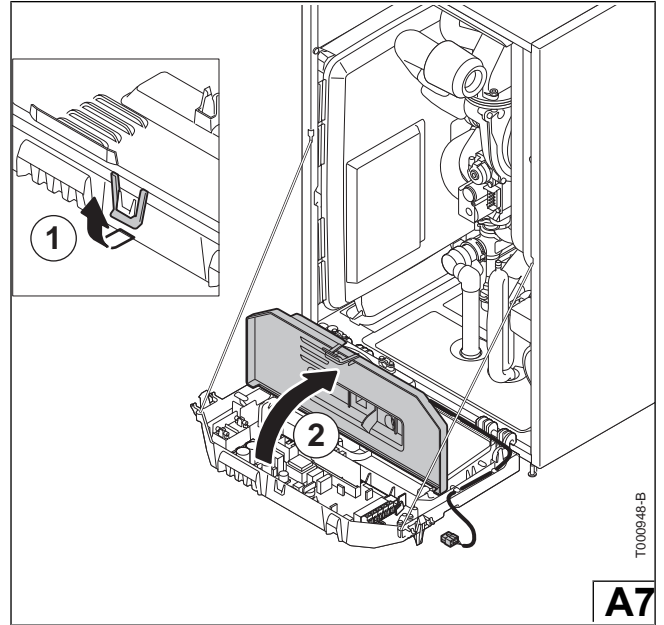
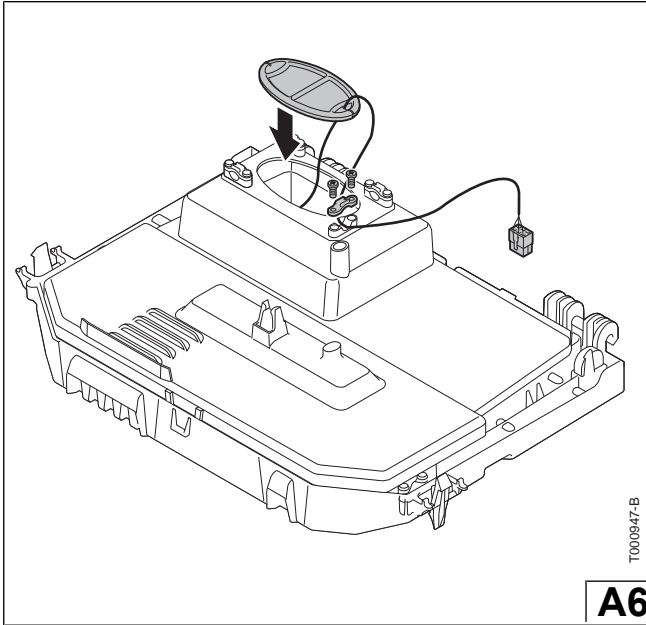
T000945-B

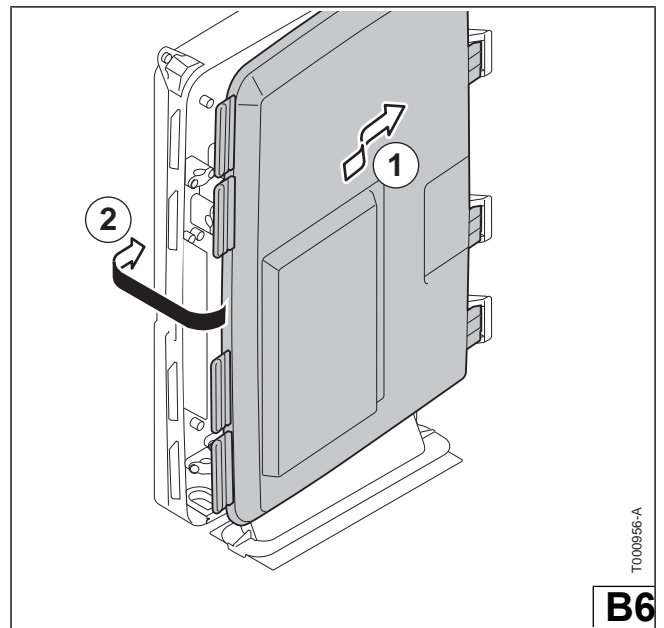
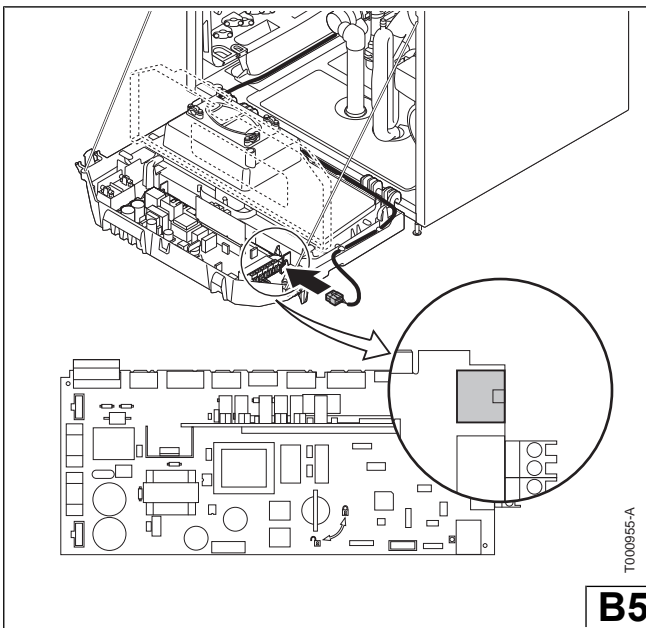
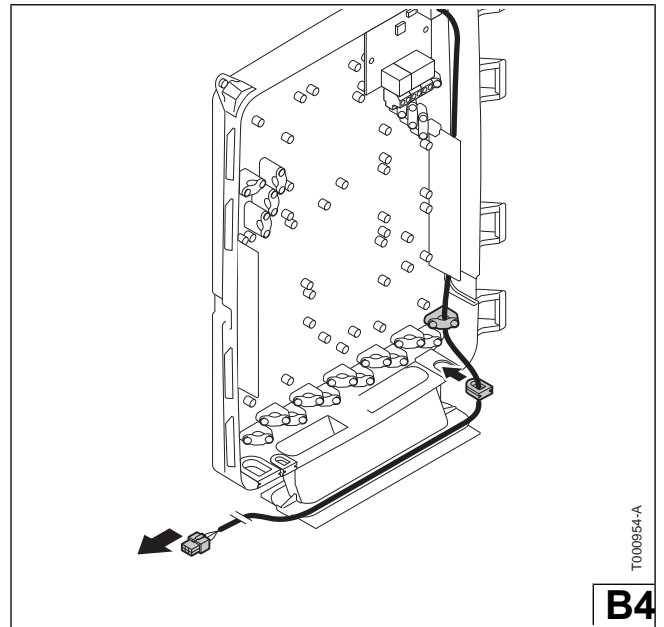
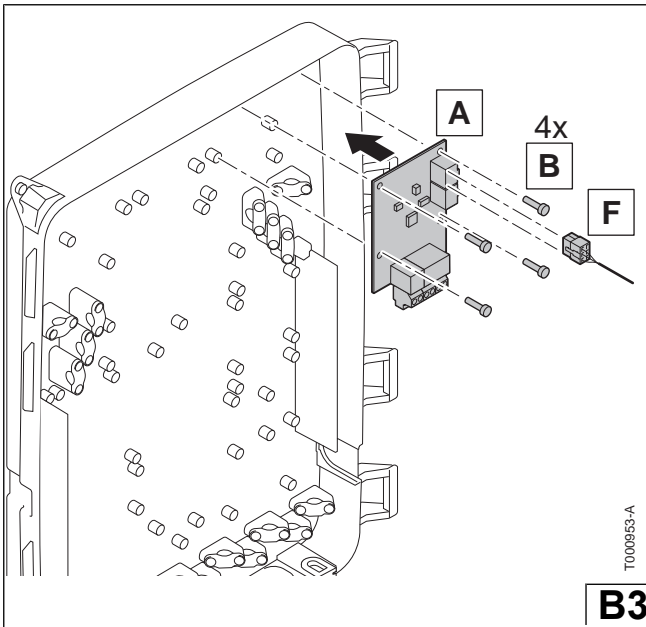
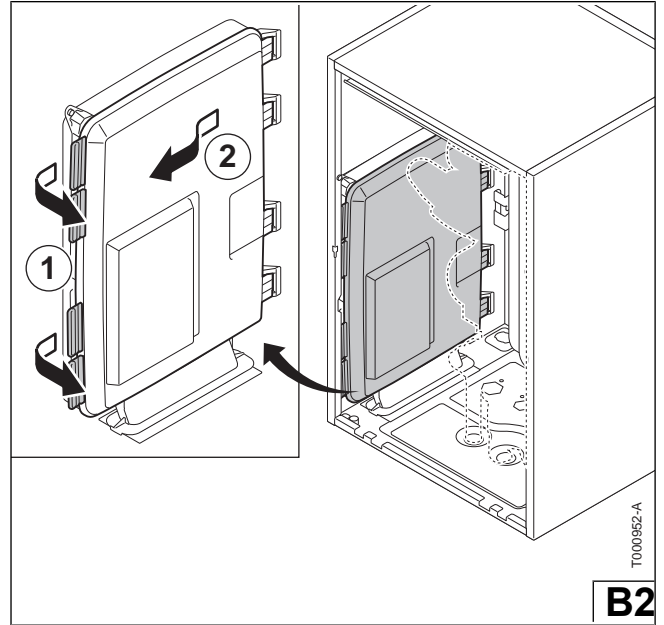
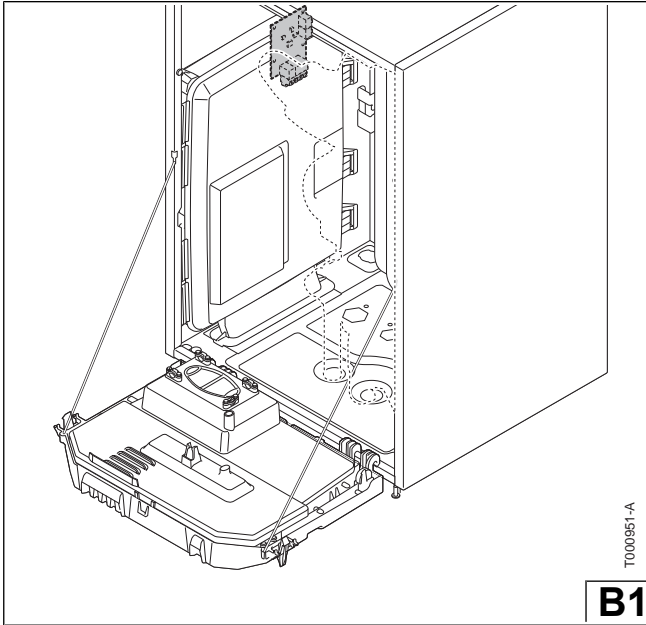
A4

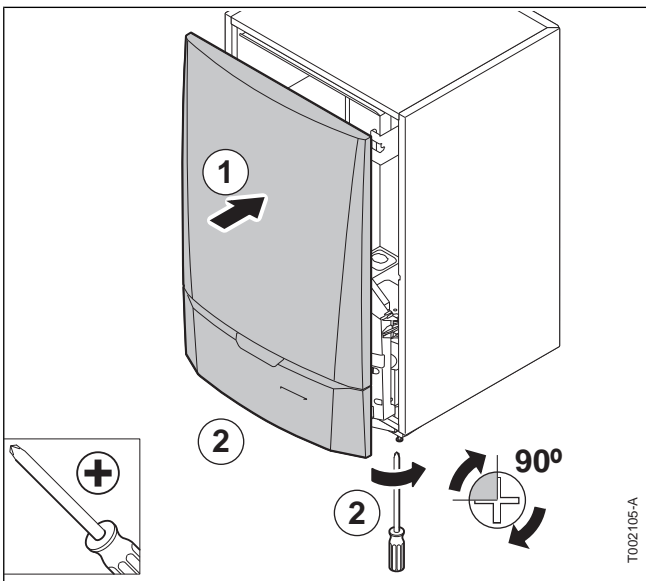
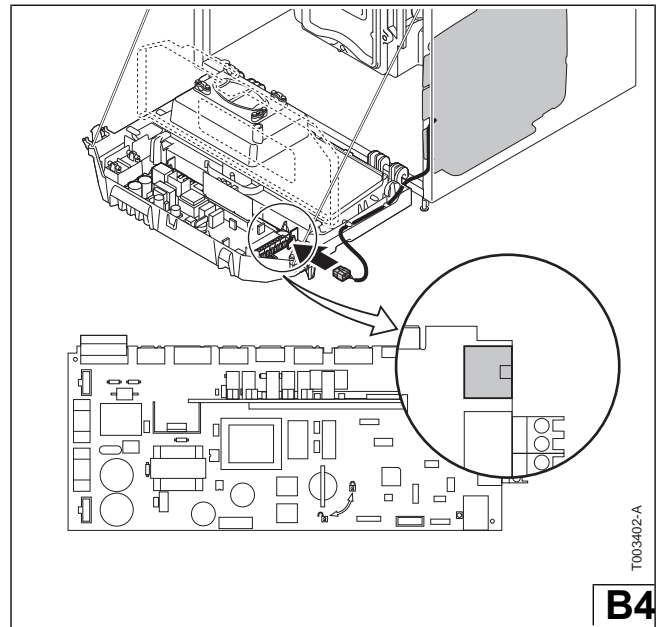
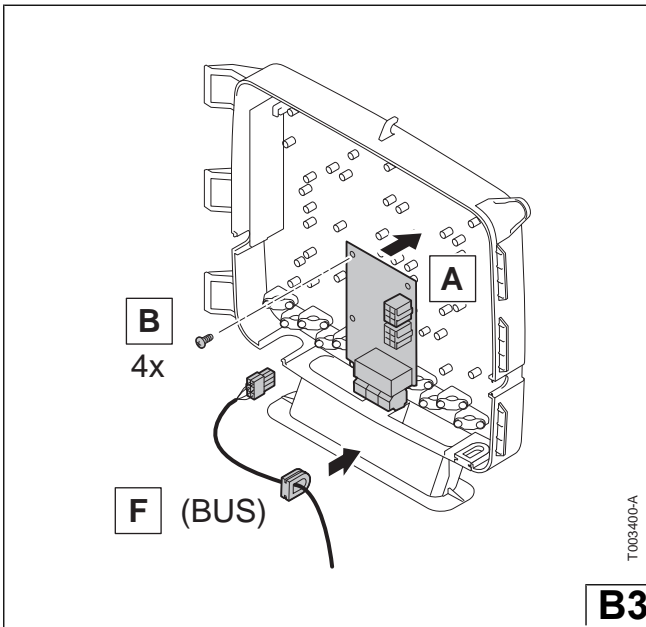
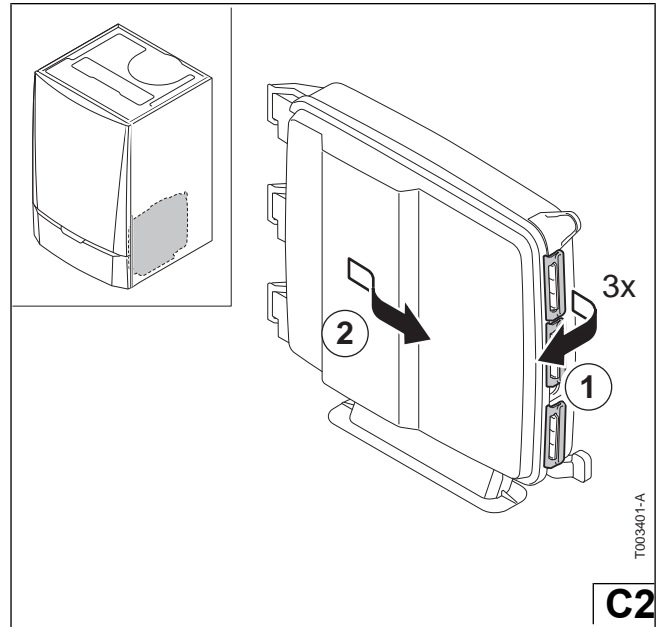
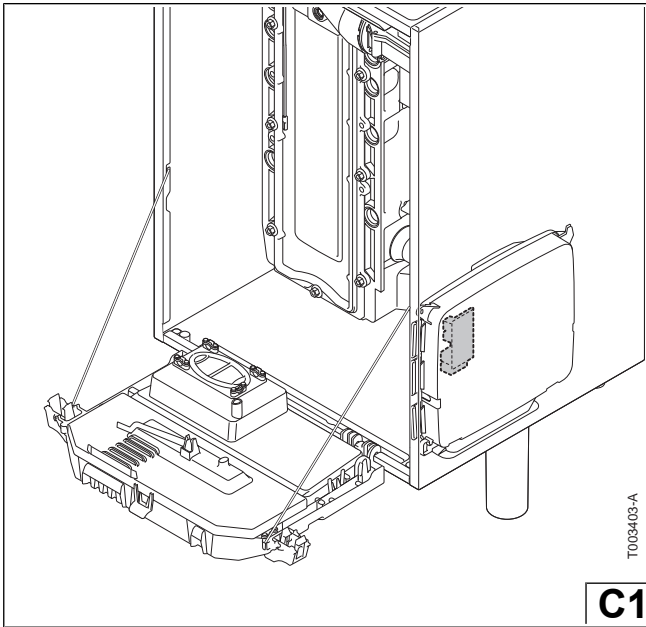


T000946-B

A5









Controleer de instelling van de parameters, zie de installatie- en servicehandleiding van de ketel.

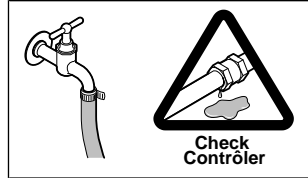
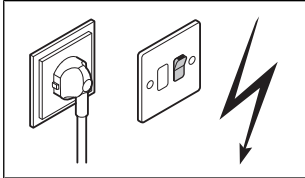
Check the parameter settings, refer to the installation and service manual of the boiler.

Contrôler le réglage des paramètres, se reporter à la notice d'installation et d'entretien de la chaudière.

Einstellung der Parameter prüfen, siehe Installations- und Wartungsanleitung des Heizkessels.

Comprobar el ajuste de los parámetros, consultar las instrucciones de instalación y mantenimiento de la caldera.

Controllare la regolazione dei parametri, fare riferimento alle istruzioni di installazione e di manutenzione della caldaia.



© Copyright

All technical and technological information contained in these technical instructions, as well as any drawings and technical descriptions supplied, remain our property and shall not be multiplied without our prior consent in writing.

Ours is a policy of continuous development. We reserve the right to alter specifications without prior notification.

Subject to alterations.

121568-140910



121568