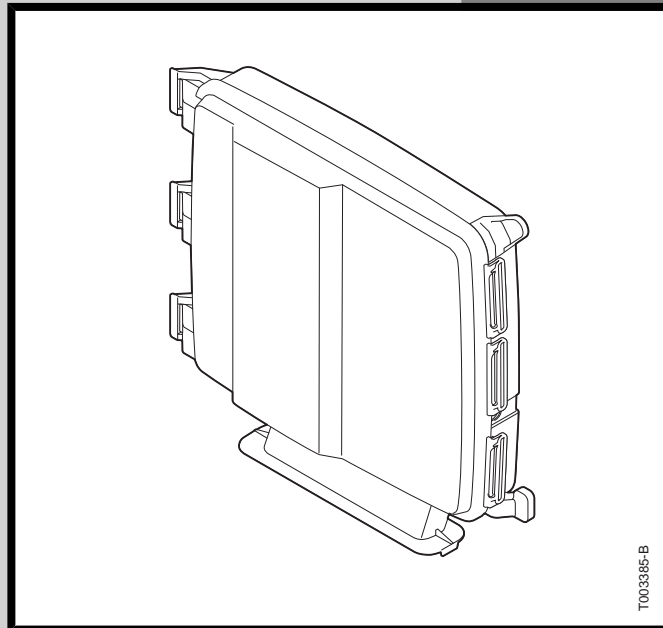
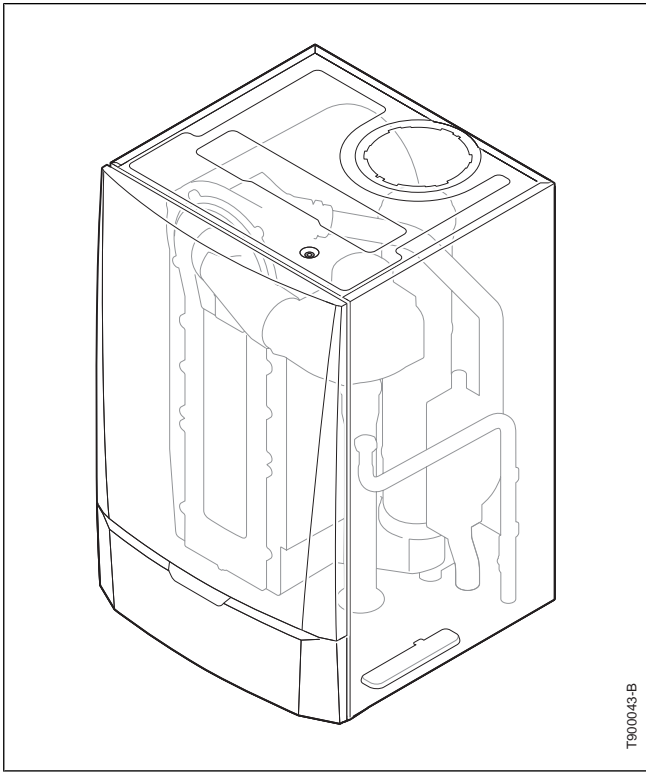


**Montage instructie**  
**Assembly instructions**  
**Instructions de montage**  
**Montageanweisung**  
**Instrucciones para el montaje**  
**Istruzioni di montaggio**

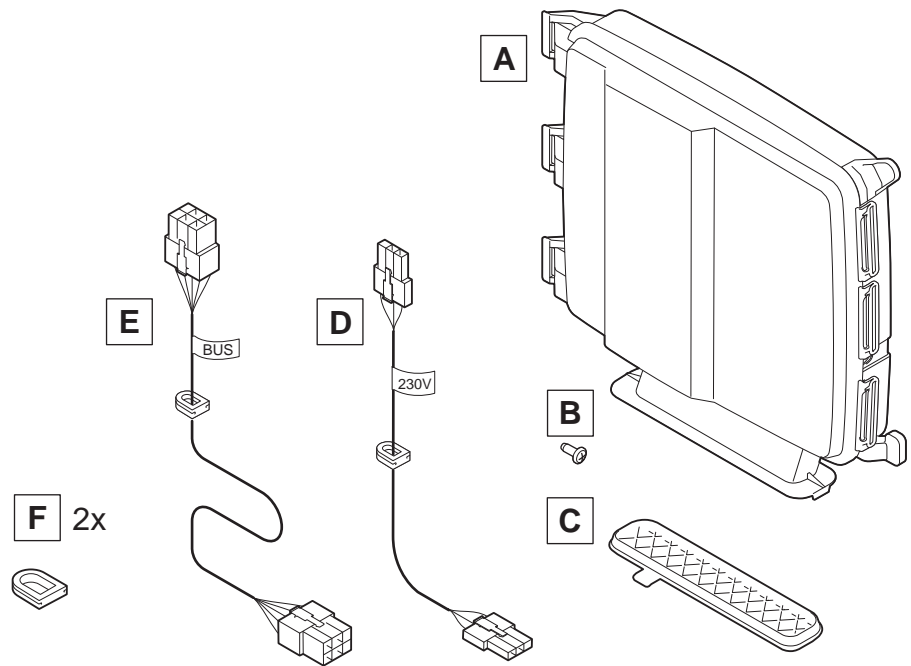
**Elektronica uitbreidingsbox**  
**Electronic extension box**  
**boîte d'extension**  
**électronique**  
**Elektronische Extension-Box**  
**Caja electrónica de extensión**  
**Scatola di espansione**  
**elettronica**



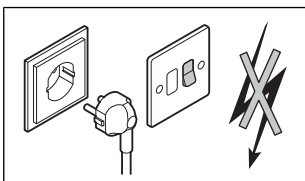


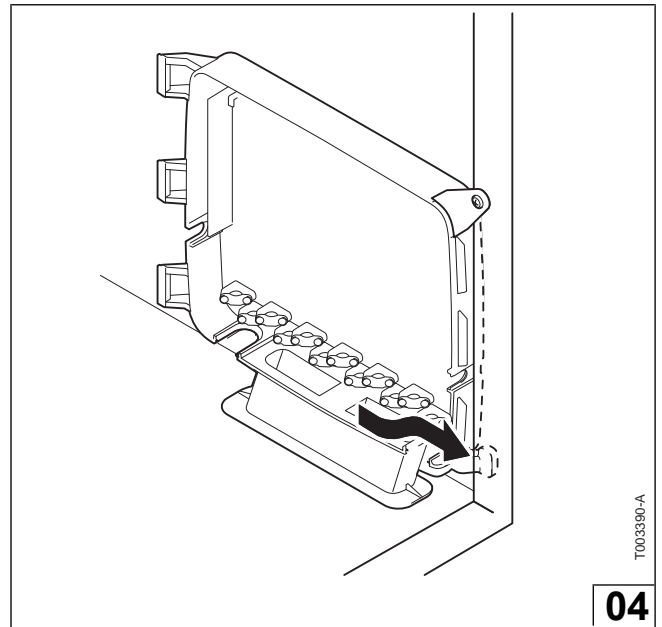
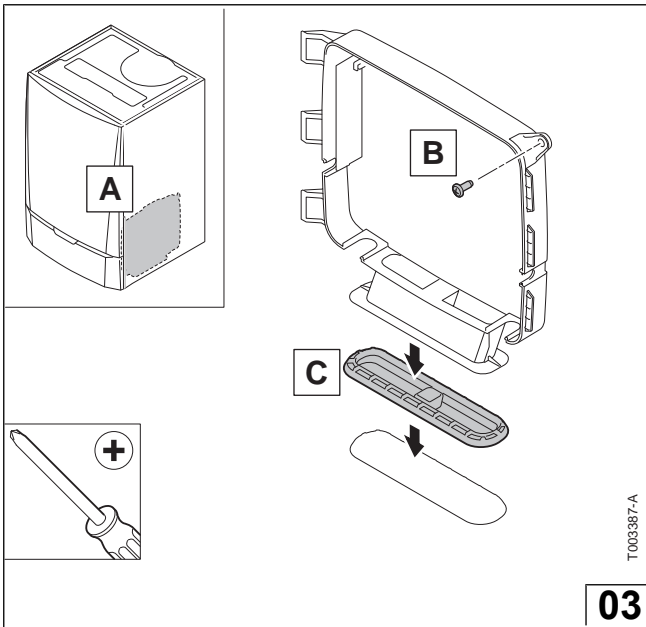
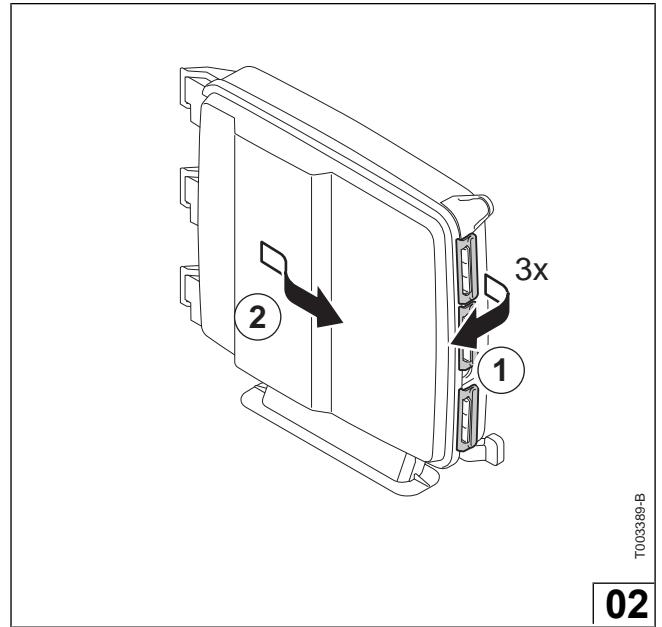
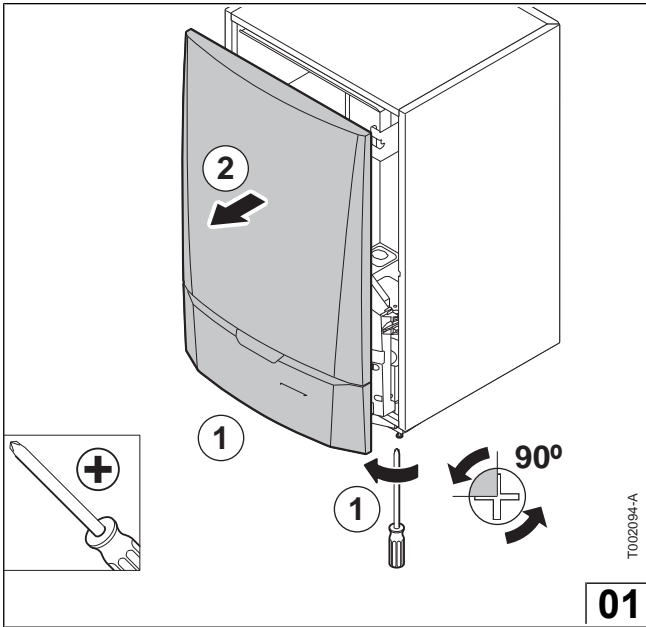
T900043-B

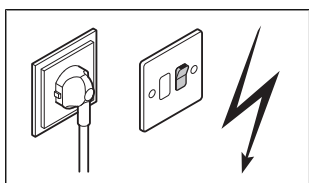
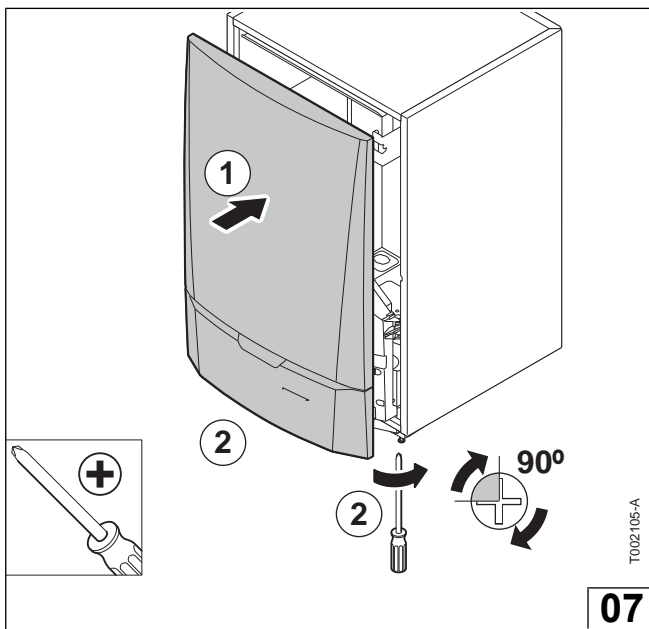
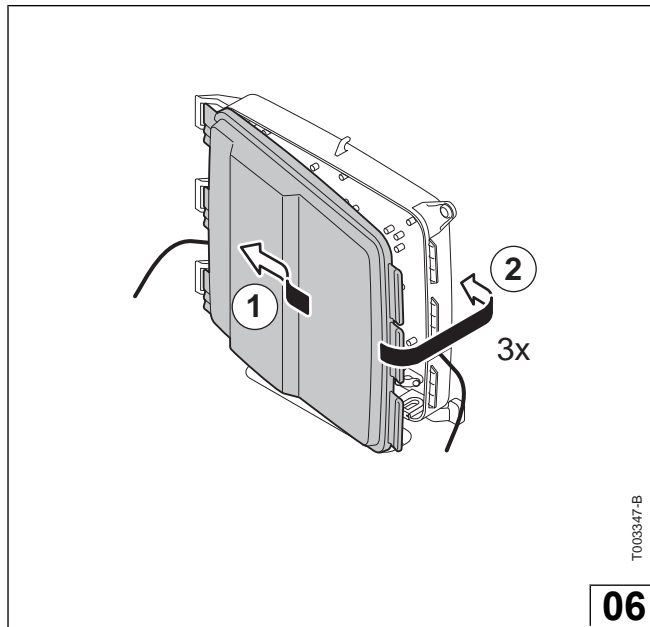
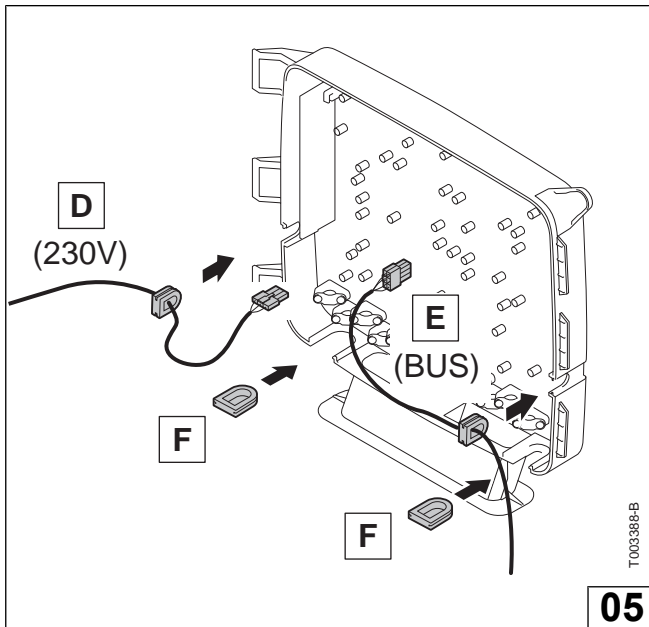
**Inhoud verpakking**  
**Set contents**  
**Contenu du kit**  
**Inhalt des Bausatzes**  
**Contenido del paquete**  
**Contenuti del pacchetto**



T003386-A













**© Copyright**

All technical and technological information contained in these technical instructions, as well as any drawings and technical descriptions supplied, remain our property and shall not be multiplied without our prior consent in writing.

Ours is a policy of continuous development. We reserve the right to alter specifications without prior notification.

Subject to alterations.

124743-060910



124743