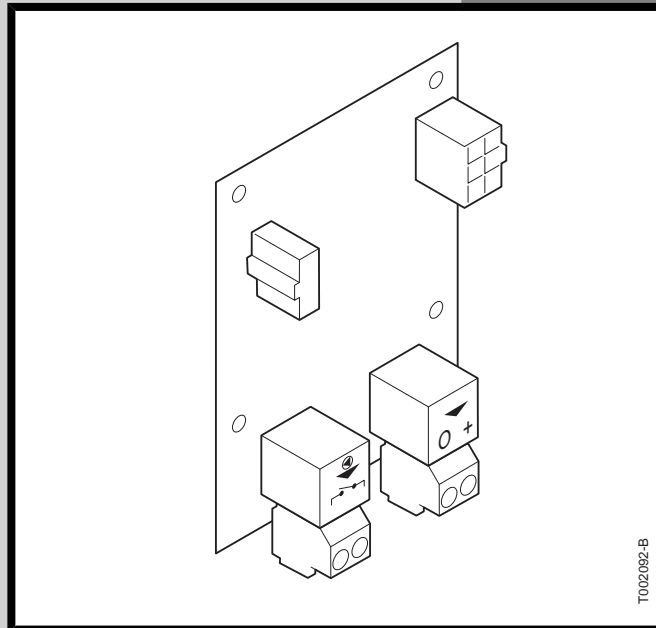
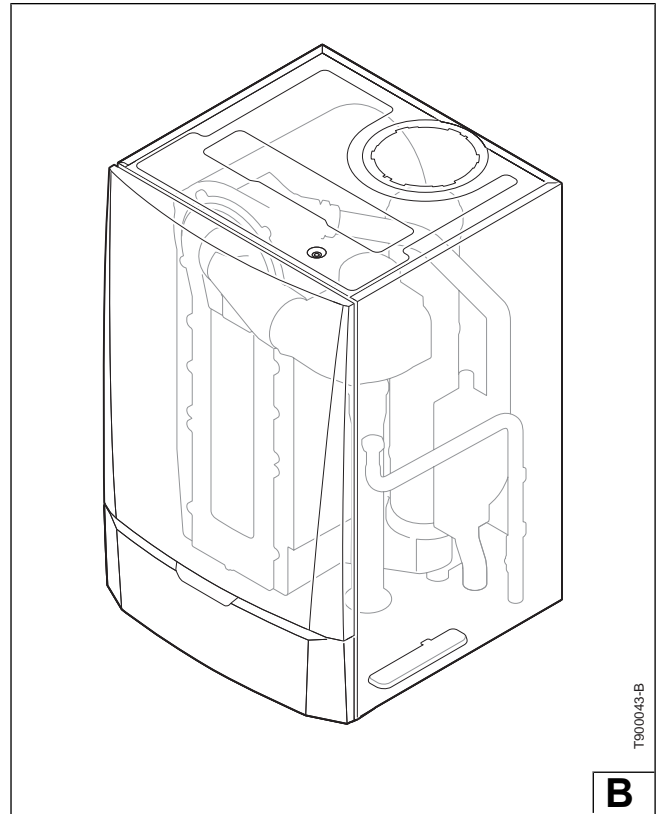
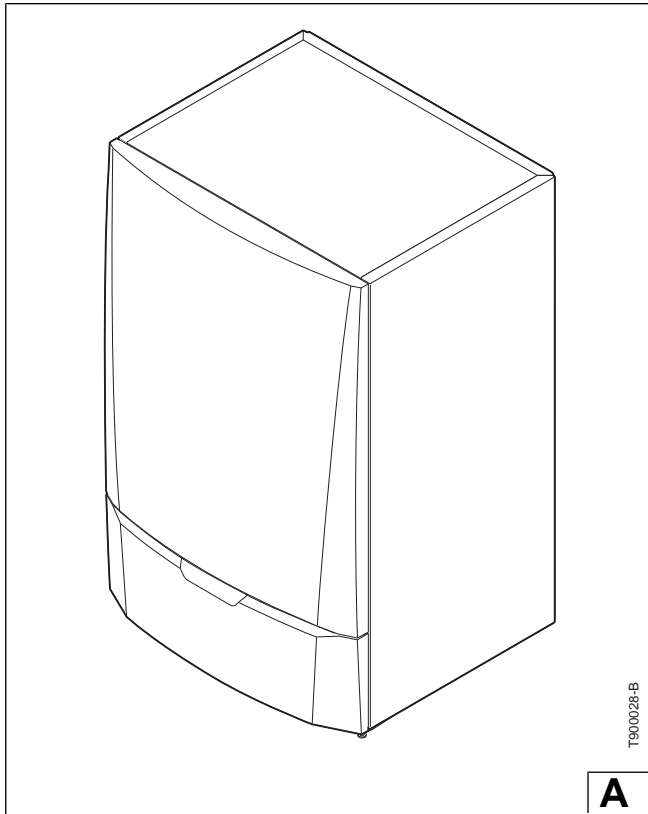


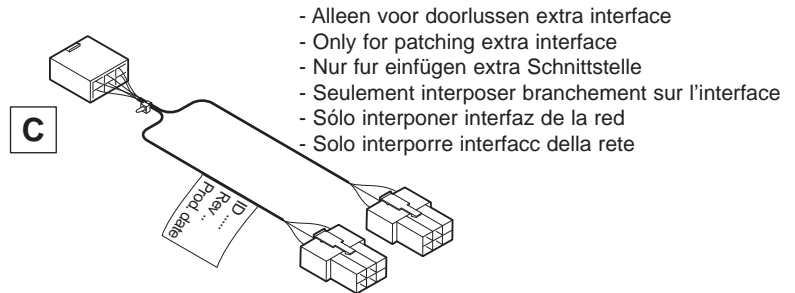
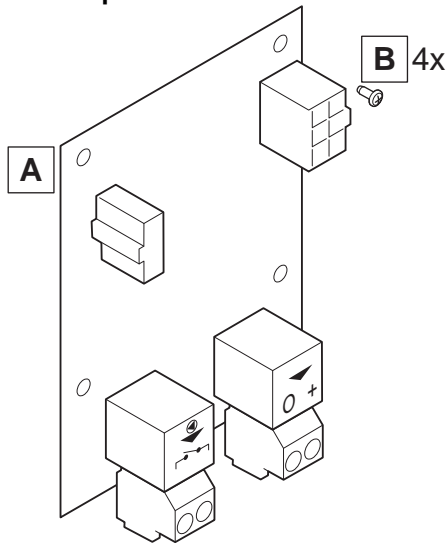
Montage instructie
Assembly instructions
Instructions de montage
Montageanweisung
Instrucciones para el montaje
Istruzioni di montaggio

SCU-X03 Print
SCU-X03 Print
SCU-X03 Carte électronique
SCU-X03 Platine
SCU-X03 Circuito impresso
SCU-X03 incl. Stampa

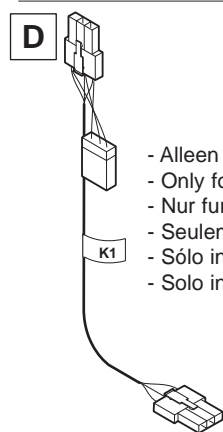




Inhoud verpakking
Set contents
Contenu du kit
Inhalt des Bausatzes
Contenido del paquete
Contenuti del pacchetto

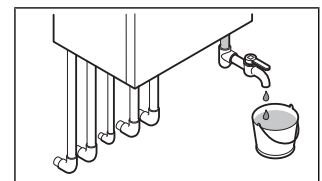
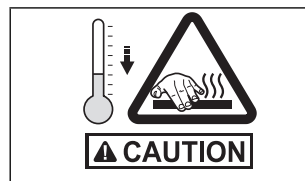
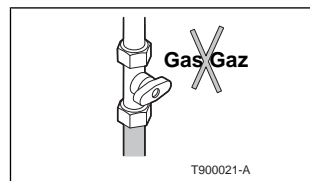
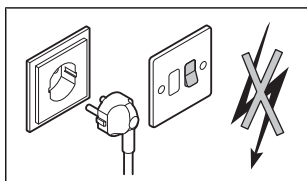


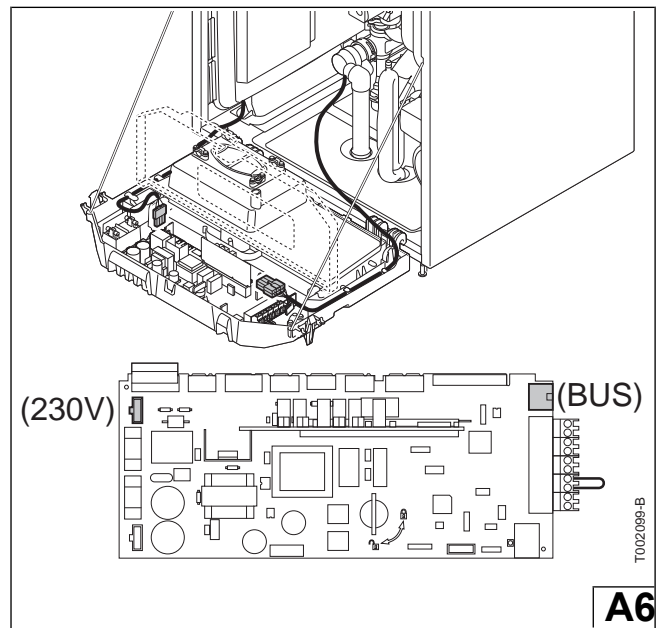
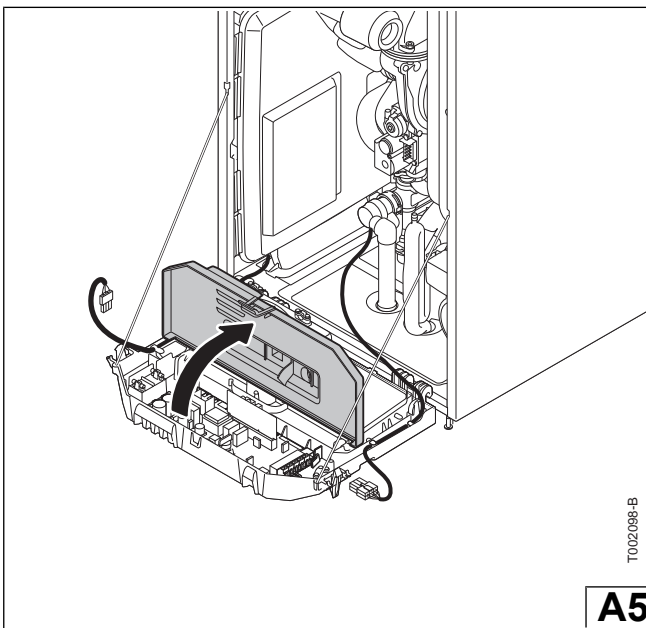
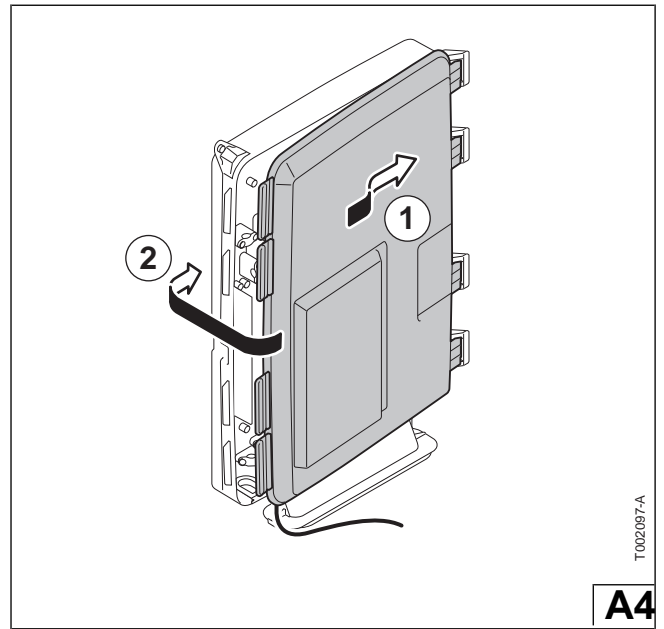
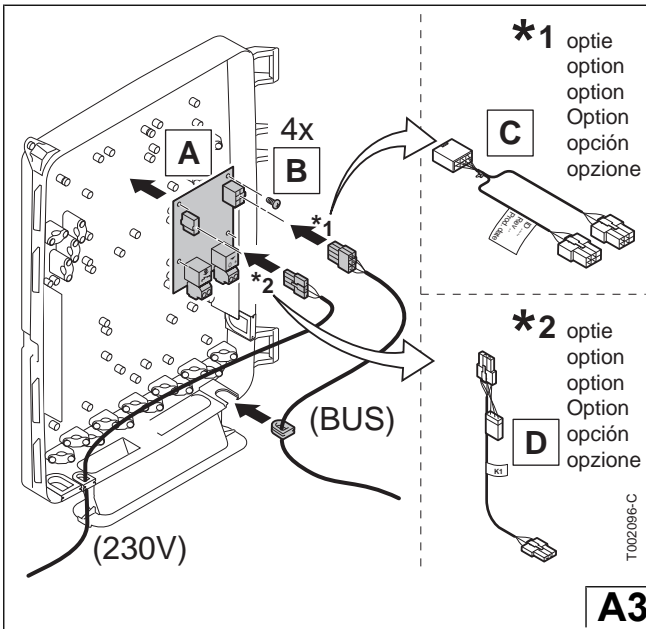
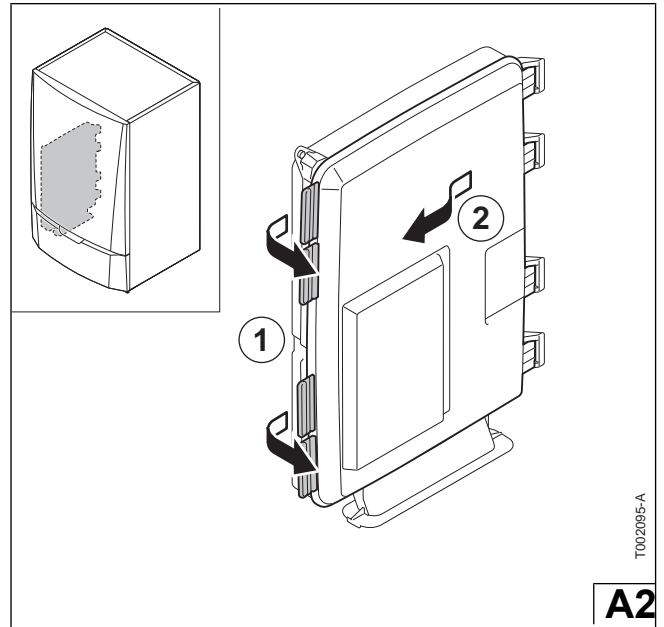
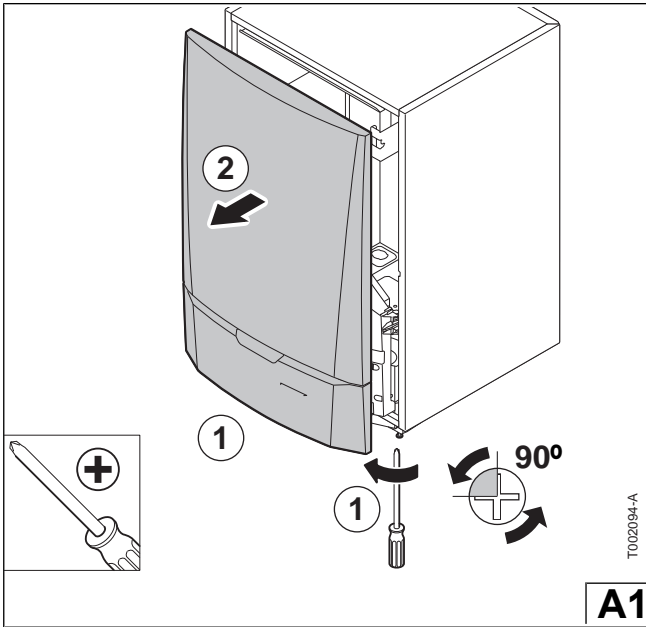
- Alleen voor doorlussen extra interface
- Only for patching extra interface
- Nur für einfügen extra Schnittstelle
- Seulement interposer branchement sur l'interface
- Sólo interponer interfaz de la red
- Solo interporre interfacc della rete

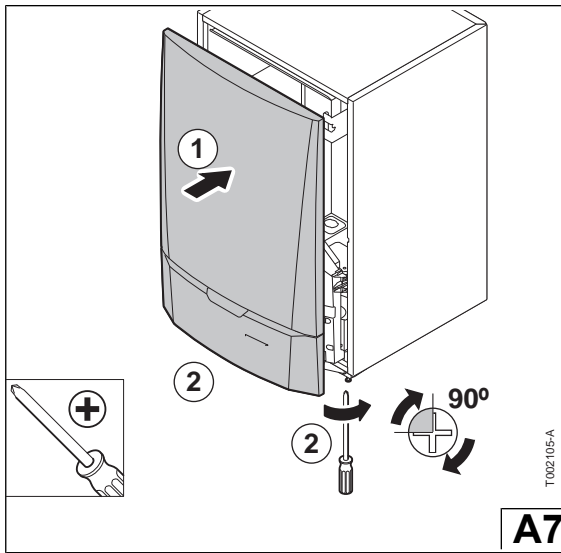


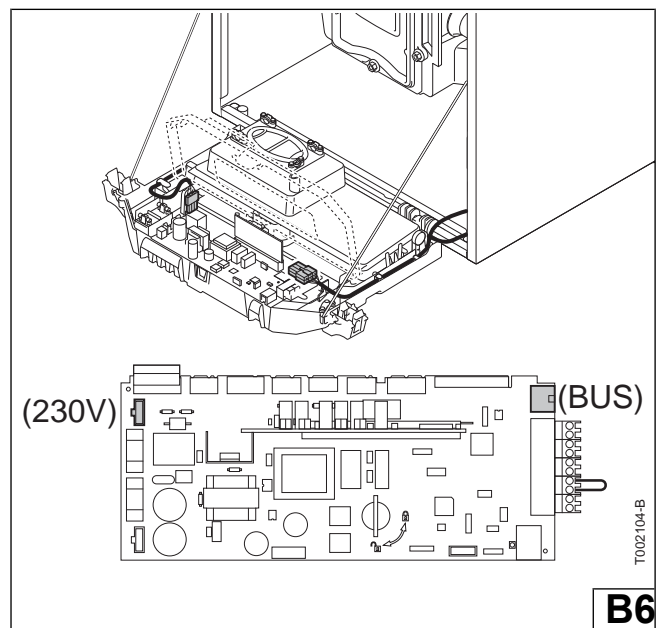
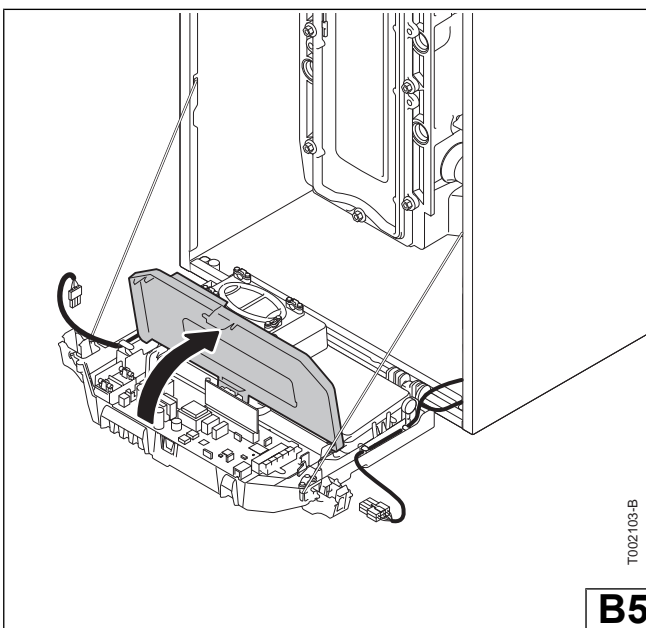
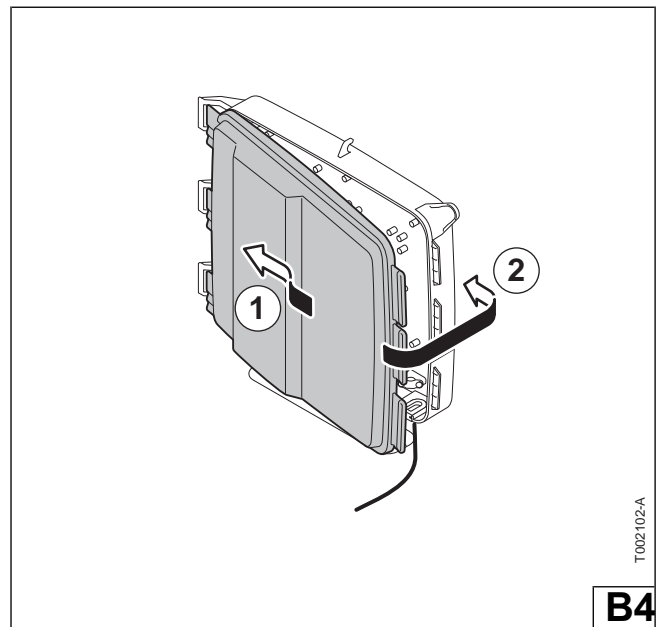
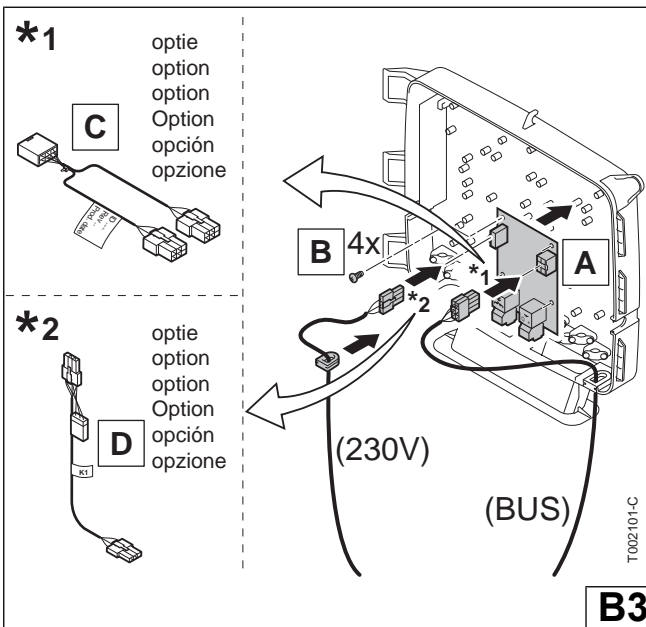
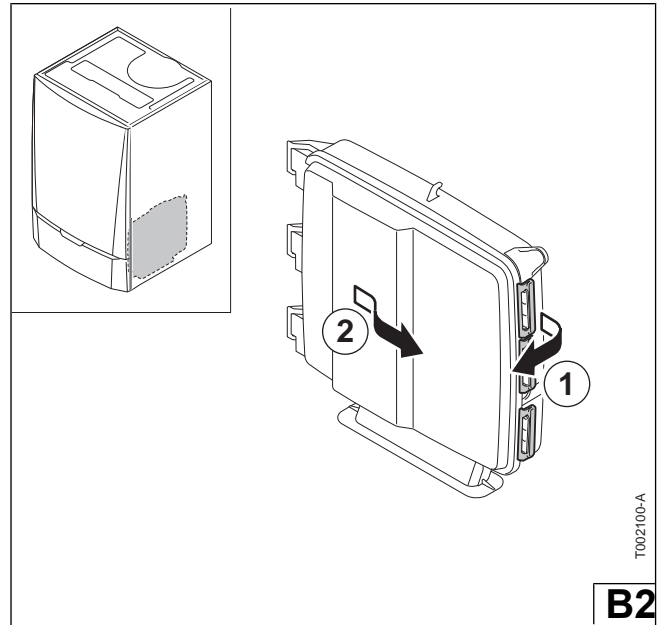
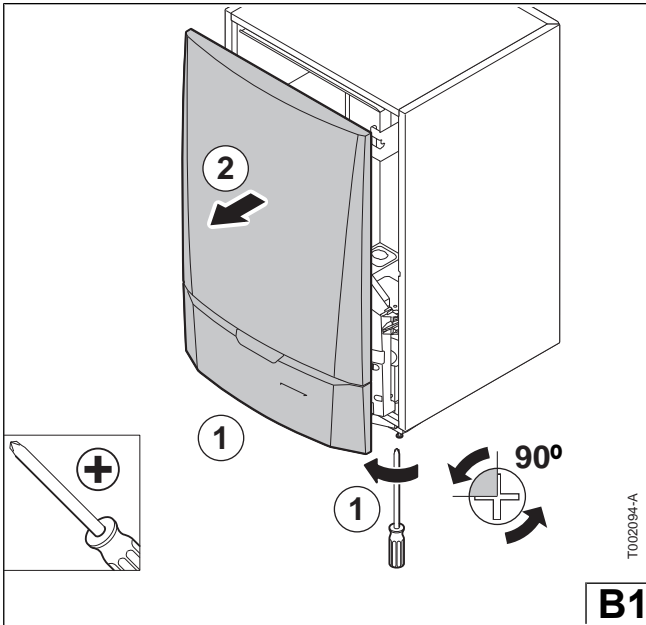
- Alleen voor doorlussen extra netvoeding
- Only for patching extra mains supply
- Nur für einfügen extra netz speisung
- Seulement interposer branchement sur le réseau supplémentaire
- Sólo interponer alimentación de la red
- Solo interporre alimentazione della rete

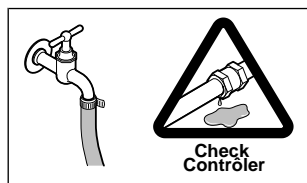
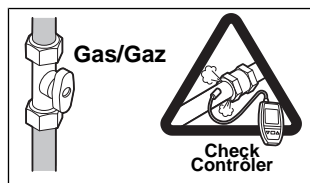
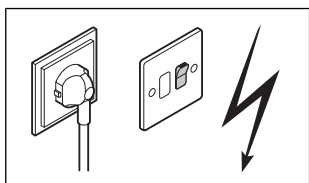
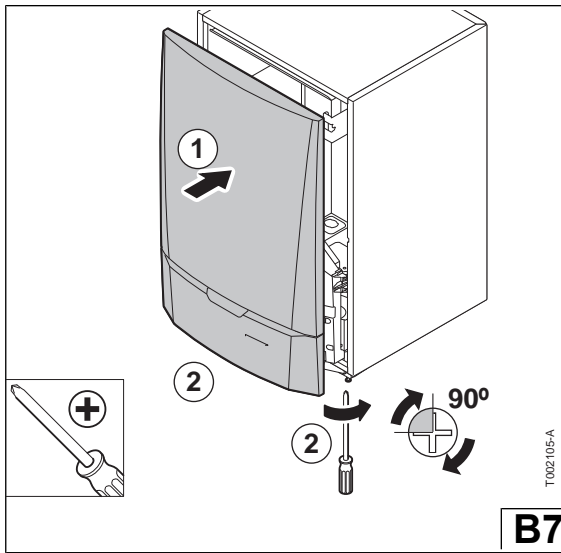
T002083-C













© Copyright

All technical and technological information contained in these technical instructions, as well as any drawings and technical descriptions supplied, remain our property and shall not be multiplied without our prior consent in writing.

Ours is a policy of continuous development. We reserve the right to alter specifications without prior notification.

Subject to alterations.

123355-190710



123355