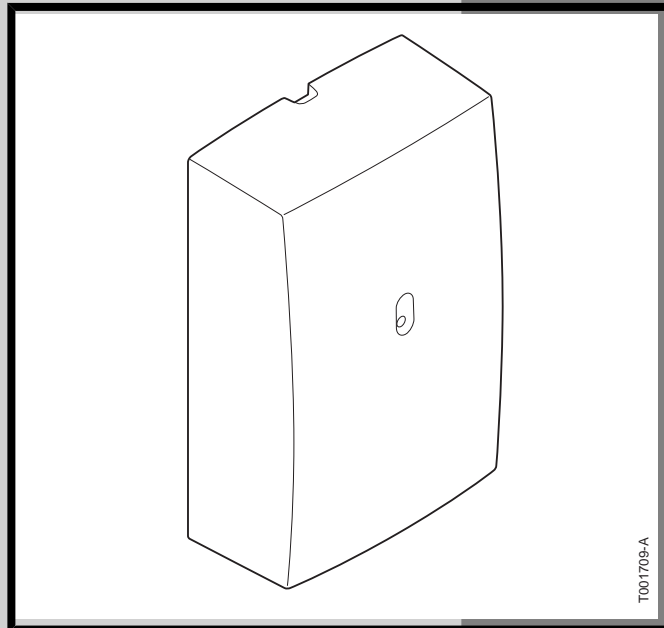
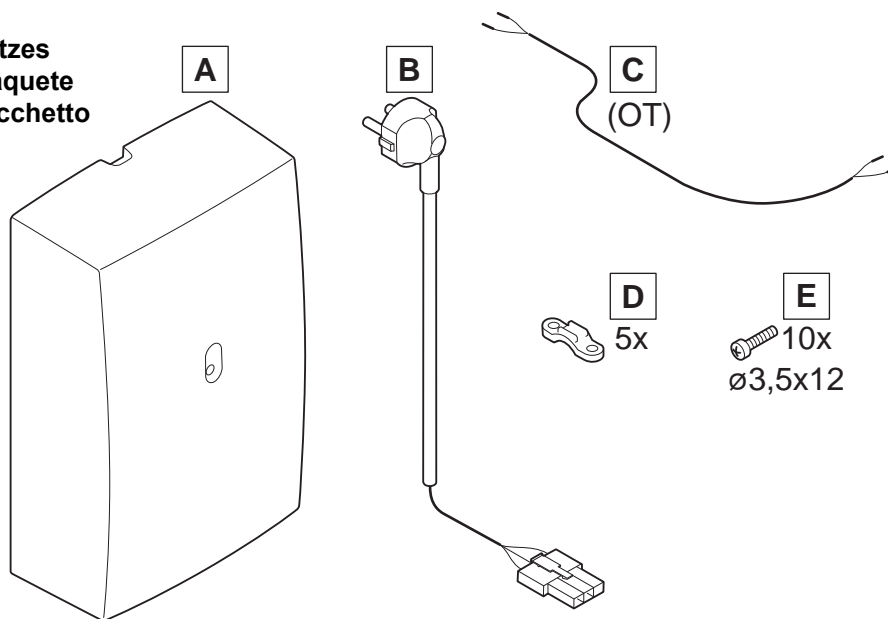


Montage instructie
Assembly instructions
Instructions de montage
Montageanweisung
Instrucciones para el montaje
Istruzioni di montaggio

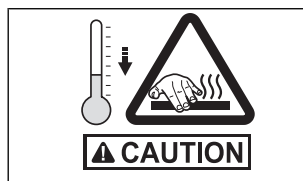
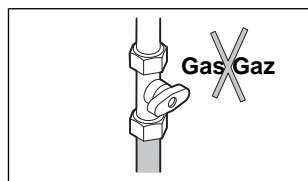
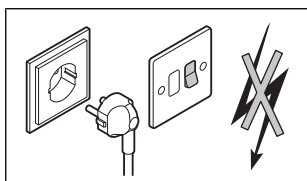
0-10V interface (IF-01)
Print interface 0-10V (IF-01)
Platine interface 0-10V (IF-01)
0-10V Platine (IF-01)
Circuito impresso 0-10V (IF-01)
Interfaccia di stampa 0-10V
(IF-01)

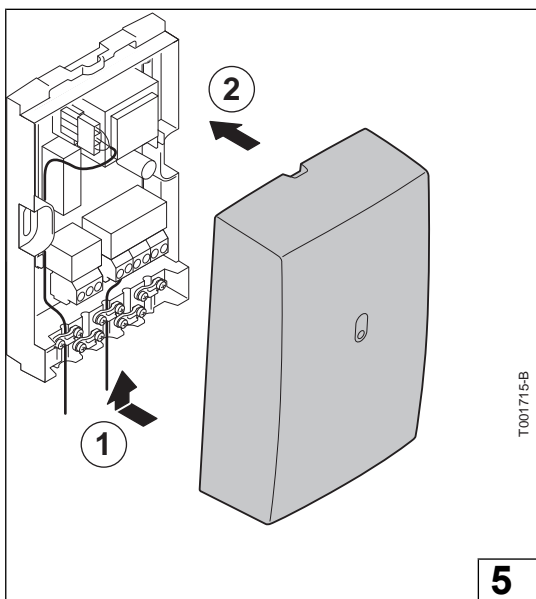
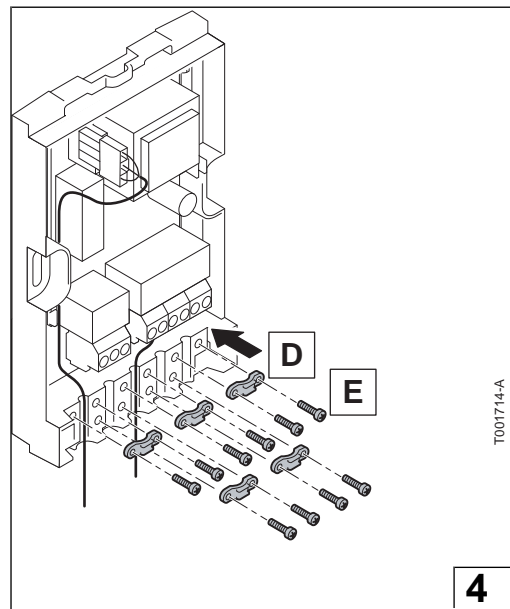
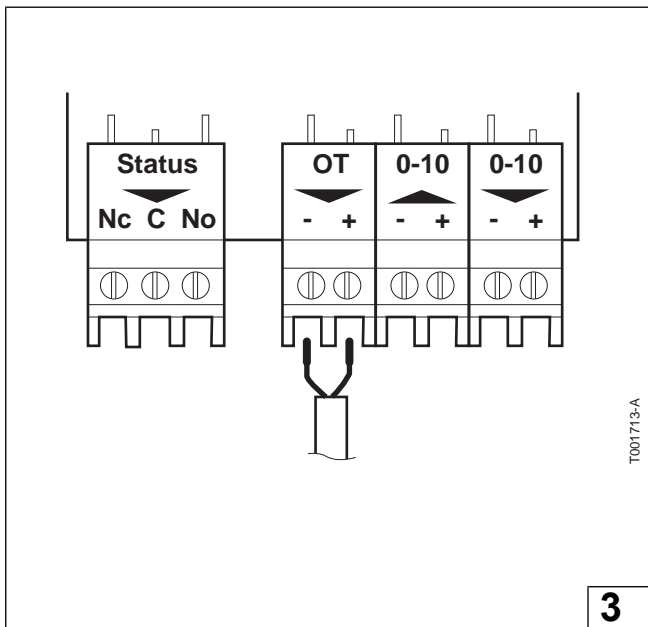
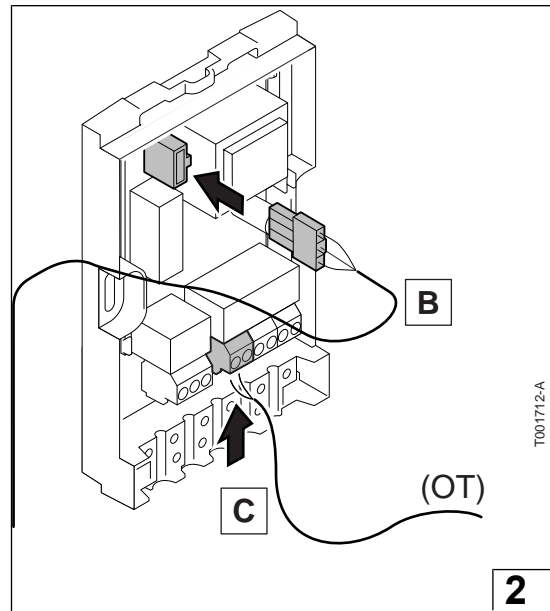
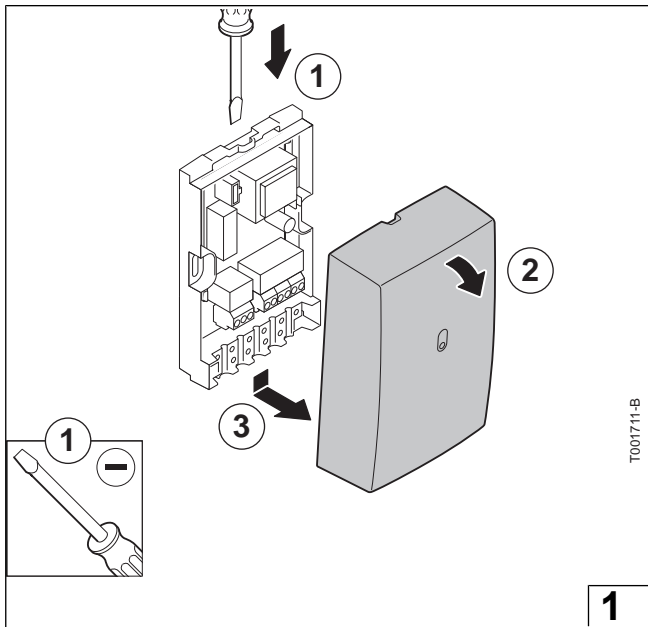


Inhoud verpakking
Set contents
Contenu du kit
Inhalt des Bausatzes
Contenido del paquete
Contenuti del pacchetto



T001710-A





© Copyright

All technical and technological information contained in these technical instructions, as well as any drawings and technical descriptions supplied, remain our property and shall not be multiplied without our prior consent in writing.

Ours is a policy of continuous development. We reserve the right to alter specifications without prior notification.

Subject to alterations.

121965-260809/AA



121965