

INITIA HTE

| Repère | Référence | Désignation | Quantité |
|--------|-----------|---|----------|
| 2 | SX5113450 | PANNEAU COTE GAUCHE (5113450) | 1,0000 |
| 2 | SX5116220 | PANNEAU COTE GAUCHE (5116220) | 1,0000 |
| 3 | SX5113440 | PANNEAU COTE DROIT (5113440) | 1,0000 |
| 3 | SX5116210 | PANNEAU COTE DROIT (5116210) | 1,0000 |
| 4 | SX5115060 | PANNEAU AVANT (5115060) | 1,0000 |
| 4 | SX5116710 | PANNEAU AVANT | 1,0000 |
| 8 | SX5410790 | TUBE SILICONE PRESSOSTAT (5410790) | 1,0000 |
| 10 | SX5409020 | RACCORDEMENT VENTOUSE (5409020) | 1,0000 |
| 11 | SX5409010 | JOINT VENTOUSE CAOUTCHOUC (5409010) | 1,0000 |
| 12 | SX5108690 | OBTURATEUR (5108690) | 1,0000 |
| 13 | SX5407400 | JOINT OBTURATEUR DECOUPE (x3) | 1,0000 |
| 18 | SX5663490 | VENTURI D=21 (5663490) | 1,0000 |
| 21 | SX5402050 | JOINT 6,1x11,5x1,5 (X3) | 1,0000 |
| 22 | SX5662680 | VENTILATEUR RG 128/1300 | 1,0000 |
| 22 | SX5682500 | VENTILATEUR RG 128/1300 | 1,0000 |
| 22 | SX5686970 | VENTILATEUR RG 128/1300 | 1,0000 |
| 22 | SX5691840 | VENTILATEUR RG 128/1300 | 1,0000 |
| 27 | SX5114820 | CHAMBRE ETANCHE (5114820) | 1,0000 |
| 27 | SX5115740 | CHAMBRE ETANCHE | 1,0000 |
| 29 | SX5412010 | PANNEAU ISOLANT ARRIERE (5412010) | 1,0000 |
| 30 | SX5411020 | PANNEAU ISOLANT (5411020) | 1,0000 |
| 32 | SX5671950 | ECHANGEUR PRINCIPAL 5E (5671950) | 1,0000 |
| 33 | SX5403130 | O-RING 22X3 EPDM (x3) (5403130) | 1,0000 |
| 34 | SX8380860 | CLIPS ECHANGEUR PRINCIPAL | 1,0000 |
| 35 | SX5662620 | VASE D'EXPANSION 8L (5662620) | 1,0000 |
| 37 | SX5672080 | PANNEAU AVANT CHAMBRE ETANCHE (5672080) | 1,0000 |
| 37 | SX5689640 | PANNEAU AVANT CHAMBRE ETANCHE (5689640) | 1,0000 |
| 38 | SX5401610 | JOINT HUBLOT (x3) (5401610) | 1,0000 |
| 39 | SX5203930 | HUBLOT (5203930) | 1,0000 |
| 40 | SX5103360 | COUVERCLE HUBLOT (5103360) | 1,0000 |
| 41 | SX5672010 | BRULEUR 5 E (5672010) | 1,0000 |
| 46 | SX5672030 | TUBE GAZ (5672030) | 1,0000 |
| 48 | SX5412100 | PLATEAU PORTE CONDENSATION (5412100) | 1,0000 |
| 49 | SX5409280 | BOUCHON RACCORD.VENTOUSE (5409280) | 1,0000 |

INITIA HTE

| Repère | Référence | Désignation | Quantité |
|--------|-----------|--|----------|
| 59 | SX8511140 | CABLE ELECT.ALLUMAGE (8511140) | 1,0000 |
| 59 | SX8513520 | CABLE ELECT.D'ALLUMAGE L=250 | 1,0000 |
| 63 | SX8422830 | ELECTRODE D'ALLUMAGE LUNA HTE (8422830) | 1,0000 |
| 63 | SX0220000 | BOUGIE ALLUMAGE (710220002) | 1,0000 |
| 65 | SX8422840 | ELECTRODE IONIS.LUNA HTE (8422840) | 1,0000 |
| 65 | SX0220700 | ELECT.D'IONISATION LUNA HTE | 1,0000 |
| 70 | SX5672040 | TUBE POMPE ECHANGEUR (5672040) | 1,0000 |
| 72 | SX5655620 | POMPE GRUNDFOS 15/60 (5655620) | 1,0000 |
| 73 | SX0607290 | DEGAZEUR (607290) | 1,0000 |
| 74 | SX5406360 | O-RING 14X1,78 (x3) | 1,0000 |
| 76 | SX5652190 | ECHANGEUR SANITAIRE 22 PLAQUES (5652190) | 1,0000 |
| 76 | SX5686700 | ECHANGEUR SANITAIRE 22 PLAQUES (5686700) | 1,0000 |
| 76 | SX5689930 | ECHANGEUR SANITAIRE 20 PLAQUES (5689930) | 1,0000 |
| 77 | SX5404520 | JOINT ECHANGEUR SANITAIRE(x4) (PDM5404520) | 1,0000 |
| 80 | SX5671530 | GR. ENT SANIT.8L/RET CHAUFF | 1,0000 |
| 81 | SX0617060 | GROUPE FILTRE LIMITEUR 8L (0617060) | 1,0000 |
| 83 | SX5666110 | LIMITEUR DEBIT SANIT.8L/MN | 1,0000 |
| 87 | SX5210710 | ELEMENT DE CONNECTION POMPE (5210710) | 1,0000 |
| 90 | SX0611930 | ROBINET DE REMPLISSAGE (611930) | 1,0000 |
| 91 | SX5652030 | ROBINET DE VIDANGE (PDM5652030) | 1,0000 |
| 92 | SX9951170 | SOUPAPE DE SECURITE 3BARS (9951170) | 1,0000 |
| 98 | SX5212890 | TUBE BY-PASS (5212890) | 1,0000 |
| 99 | SX8380850 | CLIP TUBE BY-PASS | 1,0000 |
| 102 | SX5671520 | ENS.VANNE 3 VOIES (5671520) | 1,0000 |
| 113 | SX0617100 | GROUPE BY-PASS | 1,0000 |
| 118 | SX8380520 | RESSORT BY-PASS (8380520) | 1,0000 |
| 119 | SX0605760 | CLAPET CHAUFFAGE V3V (605760) | 1,0000 |
| 120 | SX0600750 | BOUCHON V3V CHAUFFAGE | 1,0000 |
| 122 | SX5405370 | O-RING "FILTRE SANITAIRE" (x3) (5405370) | 1,0000 |
| 131 | SX8434840 | SONDE CTN CH et SN HTE (8434840) | 1,0000 |
| 131 | SX8435400 | SONDE CTN (8435400) | 1,0000 |
| 132 | SX5402830 | JOINT SONDE SANITAIRE (X10) (PDM5402830) | 1,0000 |
| 134 | SX5212140 | DIAPHRAGME GAZ D:7,5 (5212140) | 1,0000 |
| 135 | SX9950760 | SECURITE SURCHAUFFE 105° (9950760) | 1,0000 |

INITIA HTE

| Repère | Référence | Désignation | Quantité |
|--------|-----------|---|----------|
| 136 | SX5672050 | TUBE V3V/ECHANGEUR (5672050) | 1,0000 |
| 138 | SX5402010 | JOINT O-RING (x3) (PDM5402010) | 1,0000 |
| 139 | SX5206620 | RACCORD ENTREE GAZ (5206620) | 1,0000 |
| 140 | SX5671930 | VANNE GAZ SIT 848 SIGMA <40kw | 1,0000 |
| 147 | SX5662810 | TRAVERSE PLATINE HYDRAULIQUE (5662810) | 1,0000 |
| 151 | SX5407650 | COUVERCLE BOITIER ELECTRIQUE (5407650) | 1,0000 |
| 152 | SX5672220 | PANNEAU CDE INITIA 2.28HTE (5672220) | 1,0000 |
| 153 | SX5407660 | COUVERCLE BRANCHE.ELECTRIQUE (5407660) | 1,0000 |
| 154 | SX5676120 | CIRCUIT IMPRIME LMU34(5676120) | 1,0000 |
| 154 | SX5680240 | CIRCUIT IMPRIME LMU34(5680240) | 1,0000 |
| 154 | SX5684110 | CIRCUIT IMPRIME SIEMENS LMU34B | 1,0000 |
| 154 | SX5686050 | CIRCUIT IMPRIME LMU 34B | 1,0000 |
| 154 | SX5703660 | CIRC.IMPR.LMU34 | 1,0000 |
| 166 | SX8421590 | BORNIER DE RACCORDEMENT (PDM8421590) | 1,0000 |
| 167 | SX5405340 | PORTE-FUSIBLES (x3) (PDM5405340) | 1,0000 |
| 168 | SX9950580 | FUSIBLES 2A 250V (X10) (9950580) | 1,0000 |
| 169 | SX9951020 | MANOMETRE AVEC SUPPORT (9951020) | 1,0000 |
| 169 | SX9951830 | MANOMETRE AVEC SUPPORT (9951830) | 1,0000 |
| 174 | SX5410530 | BOUTON (5410530) | 1,0000 |
| 192 | SX5404650 | JOINT G3/4" 17x24x2 (X10) # | 1,0000 |
| 234 | SX5672190 | TUBE DISCONNECTEUR WATTS (5672190) | 1,0000 |
| 236 | SX5658650 | DISCONNECTEUR WATTS(jjj005658650) | 1,0000 |
| 240 | SX0618480 | CLAPET AVEC RACCORD ET O RING (0618480) | 1,0000 |
| 242 | SX8435270 | SONDE CTN FUMEE | 1,0000 |
| 252 | SX8434550 | SELECTEUR (x2) (8434550) | 1,0000 |
| 280 | SX5207730 | JOINT 14,2X18X1,5 AL-18 (x3) (5207730) | 1,0000 |
| 284 | SX5405990 | PISTON POTENTIOMETRE (5405990) | 1,0000 |
| 336 | SX8380680 | RESSORT FIX MOTEUR V3V | 1,0000 |
| 337 | SX5647340 | MOTEUR V3V ELBI | 1,0000 |
| 337 | SX0188300 | MOTEUR ELBI | 1,0000 |
| 340 | SX5663750 | PRESSOSTAT CHAUFFAGE (5663750) | 1,0000 |
| 340 | SX9951690 | PRESSOSTAT CHAUFFAGE (9951690) | 1,0000 |
| 382 | SX8511130 | CABLE ELECTRODE IONISATION | 1,0000 |
| 408 | SX5212900 | BRIDE CHAMBRE DE COMBUSTION | 1,0000 |

INITIA HTE

| Repère | Référence | Désignation | Quantité |
|--------|-----------|---|----------|
| 409 | SX5410740 | JOINT ECHANGEUR HTE (5410740) | 1,0000 |
| 411 | SX5409110 | JOINT ELECTRODE IONI.(5409110) | 1,0000 |
| 411 | SX0185200 | JOINT ELECTRODE IONISATION | 1,0000 |
| 415 | SX5411660 | BOITIER SIPHON HYDRAULIQUE (5411660) | 1,0000 |
| 415 | SX5677910 | SIPHON HYDRAULIQUE (5677910) | 1,0000 |
| 417 | SX0615380 | BOUCHON SIPHON HYDRAULIQUE + JOINT (615380) | 1,0000 |
| 419 | SX5411000 | JOINT BRIDE/ECHANGEUR | 1,0000 |
| 421 | SX5413120 | JOINT OR 12X3 EPDM | 1,0000 |
| 423 | SX5210410 | RACCORD VANNE GAZ | 1,0000 |
| 425 | SX5409130 | JOINT EXTRACTEUR (5409130) | 1,0000 |
| 425 | SX5411420 | JOINT EXTRACTEUR (5411420) | 1,0000 |
| 428 | SX5409290 | JOINT HUBLOT (X3) (5409290) | 1,0000 |
| 432 | SX5410420 | JOINT FUMEEES Ø60 | 1,0000 |
| 435 | SX5407550 | JOINT FUMEEES Ø100 (5407550) | 1,0000 |
| 445 | SX5410980 | TUBE SIPHON HYDR.2 PRISE L:350 | 1,0000 |
| 459 | SX5411610 | EVACUATION CONDENSAT EPDM | 1,0000 |
| 493 | SX0612130 | ENS.POIGNEE L:50 (612130) | 1,0000 |
| 496 | SX0400020 | O-RING 2062 (x3) (400020) | 1,0000 |
| 498 | SX0400030 | JOINT O RING (0400030) | 1,0000 |
| 510 | SX0600760 | ENS.OBTURATEUR SANITAIRE (600760) | 1,0000 |
| 511 | SX5404600 | O-RING 17,86X2,62 (X3) | 1,0000 |
| 516 | SX5210670 | PISTON (5210670) | 1,0000 |
| 518 | SX5107180 | CHEVILLE PANNEAU CDE (5107180) | 1,0000 |
| 525 | SX8435260 | ALLUMEUR ANSTOS ZAG 2XV01 (8435260) | 1,0000 |
| 600 | SX5112530 | RESSORT FIXATION DISCONNECTEUR (5112530) | 1,0000 |
| 601 | SX5408560 | O-RING 8,73X1,78 (x3) (5408560) | 1,0000 |
| 624 | SX8435280 | CAPTEUR DE HALL (8435280) | 1,0000 |
| 677 | SX5212930 | RALLONGE BRULEUR 5E (5212930) | 1,0000 |
| 678 | SX5672130 | ENS.POIGNEE L=50 | 1,0000 |
| 679 | SX8511150 | CABLE MASSE ELECTR.D'ALL.L=270(8511150) | 1,0000 |
| 680 | SX5409250 | JOINT PASSE-TUBE D:15 | 1,0000 |
| 681 | SX5409120 | JOINT ELECTRODE ALLU.(5409120) | 1,0000 |
| 681 | SX0185300 | JOINT ELECTRODE ALLUMAGE | 1,0000 |
| 682 | SX5211800 | HUBLOT (5211800) | 1,0000 |

INITIA HTE

| Repère | Référence | Désignation | Quantité |
|--------|-----------|---------------------------------------|----------|
| 707 | SX5410960 | REDUCTEUR DIAM.80/60 (5410960) | 1,0000 |
| 708 | SX5410970 | JOINT D:60 (5410970) | 1,0000 |
| 709 | SX8423160 | DOMINOS PORTE FUSIBLE(8423160) | 1,0000 |
| 710 | SX5411030 | JOINT D:80 (5411030) | 1,0000 |
| 738 | SX0620490 | GROUPE RESSORT BY PASS/JOINT | 1,0000 |
| 999 | SX8414620 | CABLE M1 ALIM ELEC (8414620) | 1,0000 |
| 999 | SX8418860 | CONNECTEUR PONT TIMER (8418860) | 1,0000 |
| 999 | SX8511160 | CABLE X2/ALLUMEUR-VENT | 1,0000 |
| 999 | SX8511170 | CABLE X401/EXTR-TH-CTN | 1,0000 |
| 999 | SX8511180 | CABLE X1/COMMUNATEUR (8511180) | 1,0000 |
| 999 | SX8511190 | CABLE X400/CTN-BALLON-EXT-PRESS | 1,0000 |
| 999 | SX8511210 | CABLE M1/INTER (8511210) | 1,0000 |
| 999 | SX8511220 | CABLE MASSE CIRCUIT IMPRIME (8511220) | 1,0000 |
| 999 | SX8511230 | CABLE MASSE (8511230) | 1,0000 |
| 999 | SX8511610 | CABLE X3/V3V-POMP-VG | 1,0000 |

INITIA HTE



INITIA HTE

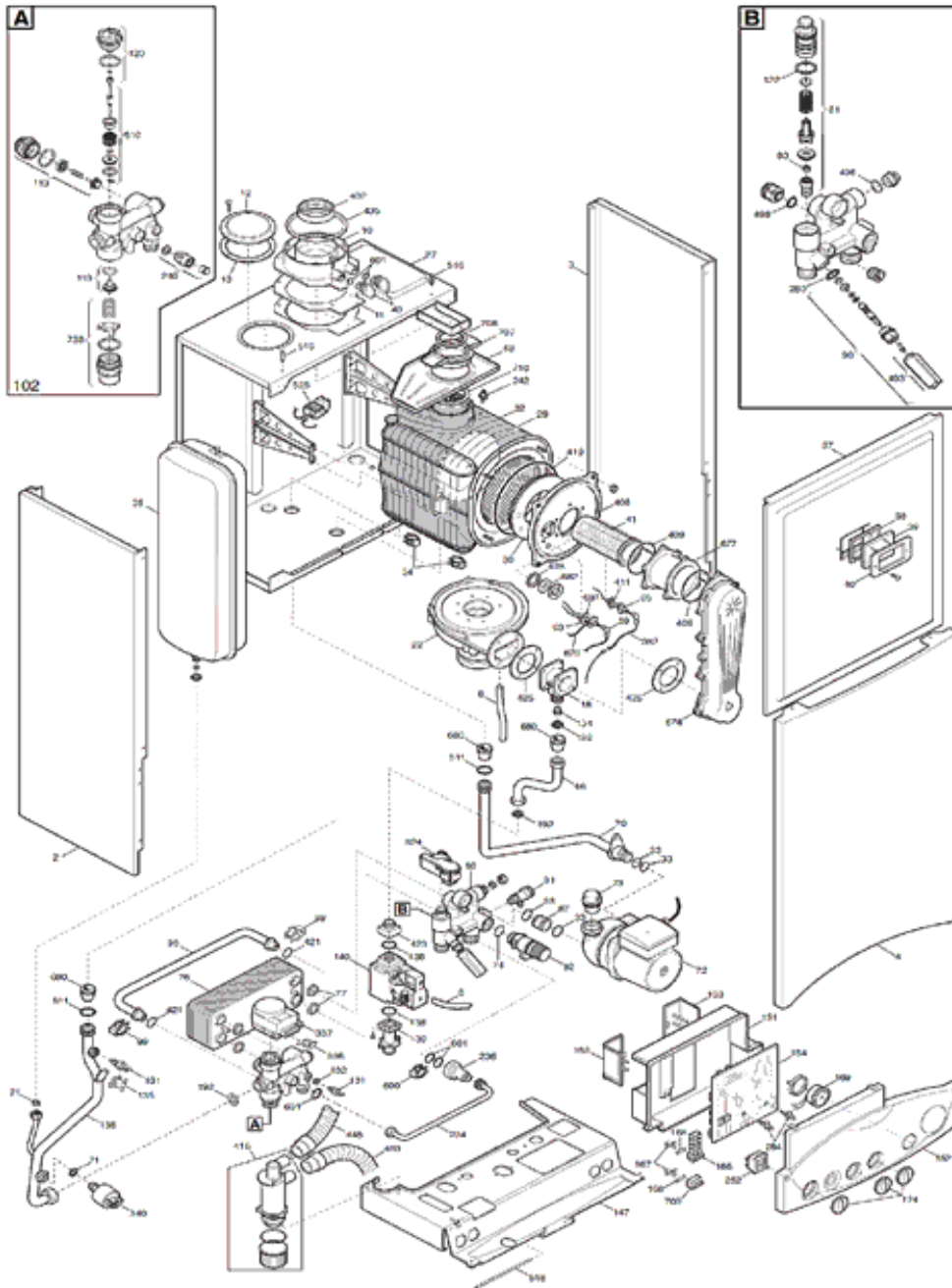
N° 1588

HLN436283320

INITIA 2.28 HTE

Tab 99

Tab 99



1

HLN436283320 INITIA 228HTE Tab99_VUE



INITIA HTE

| Repère | Référence | Désignation | Quantité |
|--------|-----------|---|----------|
| 2 | SX5113450 | PANNEAU COTE GAUCHE (5113450) | 1,0000 |
| 2 | SX5116220 | PANNEAU COTE GAUCHE (5116220) | 1,0000 |
| 3 | SX5113440 | PANNEAU COTE DROIT (5113440) | 1,0000 |
| 3 | SX5116210 | PANNEAU COTE DROIT (5116210) | 1,0000 |
| 4 | SX5115060 | PANNEAU AVANT (5115060) | 1,0000 |
| 4 | SX5116710 | PANNEAU AVANT | 1,0000 |
| 8 | SX5410790 | TUBE SILICONE PRESSOSTAT (5410790) | 1,0000 |
| 10 | SX5409020 | RACCORDEMENT VENTOUSE (5409020) | 1,0000 |
| 11 | SX5409010 | JOINT VENTOUSE CAOUTCHOUC (5409010) | 1,0000 |
| 12 | SX5108690 | OBTURATEUR (5108690) | 1,0000 |
| 13 | SX5407400 | JOINT OBTURATEUR DECOUPE (x3) | 1,0000 |
| 18 | SX5663490 | VENTURI D=21 (5663490) | 1,0000 |
| 21 | SX5402050 | JOINT 6,1x11,5x1,5 (X3) | 1,0000 |
| 22 | SX5662680 | VENTILATEUR RG 128/1300 | 1,0000 |
| 22 | SX5682500 | VENTILATEUR RG 128/1300 | 1,0000 |
| 22 | SX5686970 | VENTILATEUR RG 128/1300 | 1,0000 |
| 22 | SX5691840 | VENTILATEUR RG 128/1300 | 1,0000 |
| 27 | SX5115880 | CHAMBRE ETANCHE | 1,0000 |
| 29 | SX5412010 | PANNEAU ISOLANT ARRIERE (5412010) | 1,0000 |
| 30 | SX5411020 | PANNEAU ISOLANT (5411020) | 1,0000 |
| 32 | SX5671950 | ECHANGEUR PRINCIPAL 5E (5671950) | 1,0000 |
| 33 | SX5403130 | O-RING 22X3 EPDM (x3) (5403130) | 1,0000 |
| 34 | SX8380860 | CLIPS ECHANGEUR PRINCIPAL | 1,0000 |
| 35 | SX5662620 | VASE D'EXPANSION 8L (5662620) | 1,0000 |
| 37 | SX5672080 | PANNEAU AVANT CHAMBRE ETANCHE (5672080) | 1,0000 |
| 37 | SX5689640 | PANNEAU AVANT CHAMBRE ETANCHE (5689640) | 1,0000 |
| 38 | SX5401610 | JOINT HUBLLOT (x3) (5401610) | 1,0000 |
| 39 | SX5203930 | HUBLLOT (5203930) | 1,0000 |
| 40 | SX5103360 | COUVERCLE HUBLLOT (5103360) | 1,0000 |
| 41 | SX5672010 | BRULEUR 5 E (5672010) | 1,0000 |
| 46 | SX5672030 | TUBE GAZ (5672030) | 1,0000 |
| 48 | SX5412170 | PLATEAU PORTE CONDENSATION (5412170) | 1,0000 |
| 49 | SX5409280 | BOUCHON RACCORD.VENTOUSE (5409280) | 1,0000 |
| 59 | SX8511140 | CABLE ELECT.ALLUMAGE (8511140) | 1,0000 |

INITIA HTE

| Repère | Référence | Désignation | Quantité |
|--------|-----------|--|----------|
| 59 | SX8513520 | CABLE ELECT.D'ALLUMAGE L=250 | 1,0000 |
| 63 | SX8422830 | ELECTRODE D'ALLUMAGE LUNA HTE (8422830) | 1,0000 |
| 63 | SX0220000 | BOUGIE ALLUMAGE (710220002) | 1,0000 |
| 65 | SX8422840 | ELECTRODE IONIS.LUNA HTE (8422840) | 1,0000 |
| 65 | SX0220700 | ELECT.D'IONISATION LUNA HTE | 1,0000 |
| 70 | SX5672040 | TUBE POMPE ECHANGEUR (5672040) | 1,0000 |
| 72 | SX5655620 | POMPE GRUNDFOS 15/60 (5655620) | 1,0000 |
| 73 | SX0607290 | DEGAZEUR (607290) | 1,0000 |
| 74 | SX5406360 | O-RING 14X1,78 (x3) | 1,0000 |
| 76 | SX5652190 | ECHANGEUR SANITAIRE 22 PLAQUES (5652190) | 1,0000 |
| 76 | SX5686700 | ECHANGEUR SANITAIRE 22 PLAQUES (5686700) | 1,0000 |
| 76 | SX5689930 | ECHANGEUR SANITAIRE 20 PLAQUES (5689930) | 1,0000 |
| 77 | SX5404520 | JOINT ECHANGEUR SANITAIRE(x4) (PDM5404520) | 1,0000 |
| 80 | SX5671530 | GR. ENT SANIT.8L/RET CHAUFF | 1,0000 |
| 81 | SX0617060 | GROUPE FILTRE LIMITEUR 8L (0617060) | 1,0000 |
| 83 | SX5666110 | LIMITEUR DEBIT SANIT.8L/MN | 1,0000 |
| 87 | SX5210710 | ELEMENT DE CONNECTION POMPE (5210710) | 1,0000 |
| 90 | SX0611930 | ROBINET DE REMPLISSAGE (611930) | 1,0000 |
| 91 | SX5652030 | ROBINET DE VIDANGE (PDM5652030) | 1,0000 |
| 92 | SX9951170 | SOUPAPE DE SECURITE 3BARS (9951170) | 1,0000 |
| 98 | SX5212890 | TUBE BY-PASS (5212890) | 1,0000 |
| 99 | SX8380850 | CLIP TUBE BY-PASS | 1,0000 |
| 102 | SX5671520 | ENS.VANNE 3 VOIES (5671520) | 1,0000 |
| 113 | SX0617100 | GROUPE BY-PASS | 1,0000 |
| 118 | SX8380520 | RESSORT BY-PASS (8380520) | 1,0000 |
| 119 | SX0605760 | CLAPET CHAUFFAGE V3V (605760) | 1,0000 |
| 120 | SX0600750 | BOUCHON V3V CHAUFFAGE | 1,0000 |
| 122 | SX5405370 | O-RING "FILTRE SANITAIRE" (x3) (5405370) | 1,0000 |
| 131 | SX8434840 | SONDE CTN CH et SN HTE (8434840) | 1,0000 |
| 131 | SX8435400 | SONDE CTN (8435400) | 1,0000 |
| 132 | SX5402830 | JOINT SONDE SANITAIRE (X10) (PDM5402830) | 1,0000 |
| 134 | SX5212140 | DIAPHRAGME GAZ D:7,5 (5212140) | 1,0000 |
| 135 | SX9950760 | SECURITE SURCHAUFFE 105° (9950760) | 1,0000 |
| 136 | SX5672050 | TUBE V3V/ECHANGEUR (5672050) | 1,0000 |

INITIA HTE

| Repère | Référence | Désignation | Quantité |
|--------|-----------|---|----------|
| 138 | SX5402010 | JOINT O-RING (x3) (PDM5402010) | 1,0000 |
| 139 | SX5206620 | RACCORD ENTREE GAZ (5206620) | 1,0000 |
| 140 | SX5671930 | VANNE GAZ SIT 848 SIGMA <40kw | 1,0000 |
| 147 | SX5662810 | TRAVERSE PLATINE HYDRAULIQUE (5662810) | 1,0000 |
| 151 | SX5407650 | COUVERCLE BOITIER ELECTRIQUE (5407650) | 1,0000 |
| 152 | SX5672220 | PANNEAU CDE INITIA 2.28HTE (5672220) | 1,0000 |
| 153 | SX5407660 | COUVERCLE BRANCHE.ELECTRIQUE (5407660) | 1,0000 |
| 154 | SX5676120 | CIRCUIT IMPRIME LMU34(5676120) | 1,0000 |
| 154 | SX5680240 | CIRCUIT IMPRIME LMU34(5680240) | 1,0000 |
| 154 | SX5684110 | CIRCUIT IMPRIME SIEMENS LMU34B | 1,0000 |
| 154 | SX5686050 | CIRCUIT IMPRIME LMU 34B | 1,0000 |
| 154 | SX5703660 | CIRC.IMPR.LMU34 | 1,0000 |
| 166 | SX8421590 | BORNIER DE RACCORDEMENT (PDM8421590) | 1,0000 |
| 167 | SX5405340 | PORTE-FUSIBLES (x3) (PDM5405340) | 1,0000 |
| 168 | SX9950580 | FUSIBLES 2A 250V (X10) (9950580) | 1,0000 |
| 169 | SX9951020 | MANOMETRE AVEC SUPPORT (9951020) | 1,0000 |
| 169 | SX9951830 | MANOMETRE AVEC SUPPORT (9951830) | 1,0000 |
| 174 | SX5410530 | BOUTON (5410530) | 1,0000 |
| 192 | SX5404650 | JOINT G3/4" 17x24x2 (X10) # | 1,0000 |
| 234 | SX5672190 | TUBE DISCONNECTEUR WATTS (5672190) | 1,0000 |
| 236 | SX5658650 | DISCONNECTEUR WATTS(jjj005658650) | 1,0000 |
| 240 | SX0618480 | CLAPET AVEC RACCORD ET O RING (0618480) | 1,0000 |
| 242 | SX8435270 | SONDE CTN FUMEE | 1,0000 |
| 252 | SX8434550 | SELECTEUR (x2) (8434550) | 1,0000 |
| 280 | SX5207730 | JOINT 14,2X18X1,5 AL-18 (x3) (5207730) | 1,0000 |
| 284 | SX5405990 | PISTON POTENTIOMETRE (5405990) | 1,0000 |
| 336 | SX8380680 | RESSORT FIX MOTEUR V3V | 1,0000 |
| 337 | SX5647340 | MOTEUR V3V ELBI | 1,0000 |
| 337 | SX0188300 | MOTEUR ELBI | 1,0000 |
| 340 | SX5663750 | PRESSOSTAT CHAUFFAGE (5663750) | 1,0000 |
| 340 | SX9951690 | PRESSOSTAT CHAUFFAGE (9951690) | 1,0000 |
| 382 | SX8511130 | CABLE ELECTRODE IONISATION | 1,0000 |
| 408 | SX5212900 | BRIDE CHAMBRE DE COMBUSTION | 1,0000 |
| 409 | SX5410740 | JOINT ECHANGEUR HTE (5410740) | 1,0000 |

INITIA HTE

| Repère | Référence | Désignation | Quantité |
|--------|-----------|---|----------|
| 411 | SX5409110 | JOINT ELECTRODE IONI.(5409110) | 1,0000 |
| 411 | SX0185200 | JOINT ELECTRODE IONISATION | 1,0000 |
| 415 | SX5411660 | BOITIER SIPHON HYDRAULIQUE (5411660) | 1,0000 |
| 415 | SX5682350 | ENS.SIPHON HYDRAULIQUE (5682350) | 1,0000 |
| 417 | SX0615380 | BOUCHON SIPHON HYDRAULIQUE + JOINT (615380) | 1,0000 |
| 419 | SX5411000 | JOINT BRIDE/ECHANGEUR | 1,0000 |
| 421 | SX5413120 | JOINT OR 12X3 EPDM | 1,0000 |
| 423 | SX5210410 | RACCORD VANNE GAZ | 1,0000 |
| 425 | SX5409130 | JOINT EXTRACTEUR (5409130) | 1,0000 |
| 425 | SX5411420 | JOINT EXTRACTEUR (5411420) | 1,0000 |
| 428 | SX5409290 | JOINT HUBLLOT (X3) (5409290) | 1,0000 |
| 432 | SX5410420 | JOINT FUMEEES Ø60 | 1,0000 |
| 435 | SX5407550 | JOINT FUMEEES Ø100 (5407550) | 1,0000 |
| 445 | SX5410980 | TUBE SIPHON HYDR.2 PRISE L:350 | 1,0000 |
| 459 | SX5411610 | EVACUATION CONDENSAT EPDM | 1,0000 |
| 493 | SX0612130 | ENS.POIGNEE L:50 (612130) | 1,0000 |
| 496 | SX0400020 | O-RING 2062 (x3) (400020) | 1,0000 |
| 498 | SX0400030 | JOINT O RING (0400030) | 1,0000 |
| 510 | SX0600760 | ENS.OBTURATEUR SANITAIRE (600760) | 1,0000 |
| 511 | SX5404600 | O-RING 17,86X2,62 (X3) | 1,0000 |
| 516 | SX5210670 | PISTON (5210670) | 1,0000 |
| 518 | SX5107180 | CHEVILLE PANNEAU CDE (5107180) | 1,0000 |
| 525 | SX8435260 | ALLUMEUR ANSTOS ZAG 2XV01 (8435260) | 1,0000 |
| 600 | SX5112530 | RESSORT FIXATION DISCONNECTEUR (5112530) | 1,0000 |
| 601 | SX5408560 | O-RING 8,73X1,78 (x3) (5408560) | 1,0000 |
| 624 | SX8435280 | CAPTEUR DE HALL (8435280) | 1,0000 |
| 673 | SX5412190 | TUBE EN SILICONE | 1,0000 |
| 677 | SX5212930 | RALLONGE BRULEUR 5E (5212930) | 1,0000 |
| 678 | SX5672130 | ENS.POIGNEE L=50 | 1,0000 |
| 679 | SX8511150 | CABLE MASSE ELECTR.D'ALL.L=270(8511150) | 1,0000 |
| 680 | SX5409250 | JOINT PASSE-TUBE D:15 | 1,0000 |
| 681 | SX5409120 | JOINT ELECTRODE ALLU.(5409120) | 1,0000 |
| 681 | SX0185300 | JOINT ELECTRODE ALLUMAGE | 1,0000 |
| 682 | SX5211800 | HUBLLOT (5211800) | 1,0000 |

INITIA HTE

| Repère | Référence | Désignation | Quantité |
|--------|-----------|---------------------------------------|----------|
| 708 | SX5410970 | JOINT D:60 (5410970) | 1,0000 |
| 709 | SX8423160 | DOMINOS PORTE FUSIBLE(8423160) | 1,0000 |
| 710 | SX5411030 | JOINT D:80 (5411030) | 1,0000 |
| 738 | SX0620490 | GROUPE RESSORT BY PASS/JOINT | 1,0000 |
| 999 | SX8414620 | CABLE M1 ALIM ELEC (8414620) | 1,0000 |
| 999 | SX8418860 | CONNECTEUR PONT TIMER (8418860) | 1,0000 |
| 999 | SX8511160 | CABLE X2/ALLUMEUR-VENT | 1,0000 |
| 999 | SX8511170 | CABLE X401/EXTR-TH-CTN | 1,0000 |
| 999 | SX8511180 | CABLE X1/COMMUNATEUR (8511180) | 1,0000 |
| 999 | SX8511190 | CABLE X400/CTN-BALLON-EXT-PRESS | 1,0000 |
| 999 | SX8511210 | CABLE M1/INTER (8511210) | 1,0000 |
| 999 | SX8511220 | CABLE MASSE CIRCUIT IMPRIME (8511220) | 1,0000 |
| 999 | SX8511230 | CABLE MASSE (8511230) | 1,0000 |
| 999 | SX8511610 | CABLE X3/V3V-POMP-VG | 1,0000 |

INITIA HTE



INITIA HTE

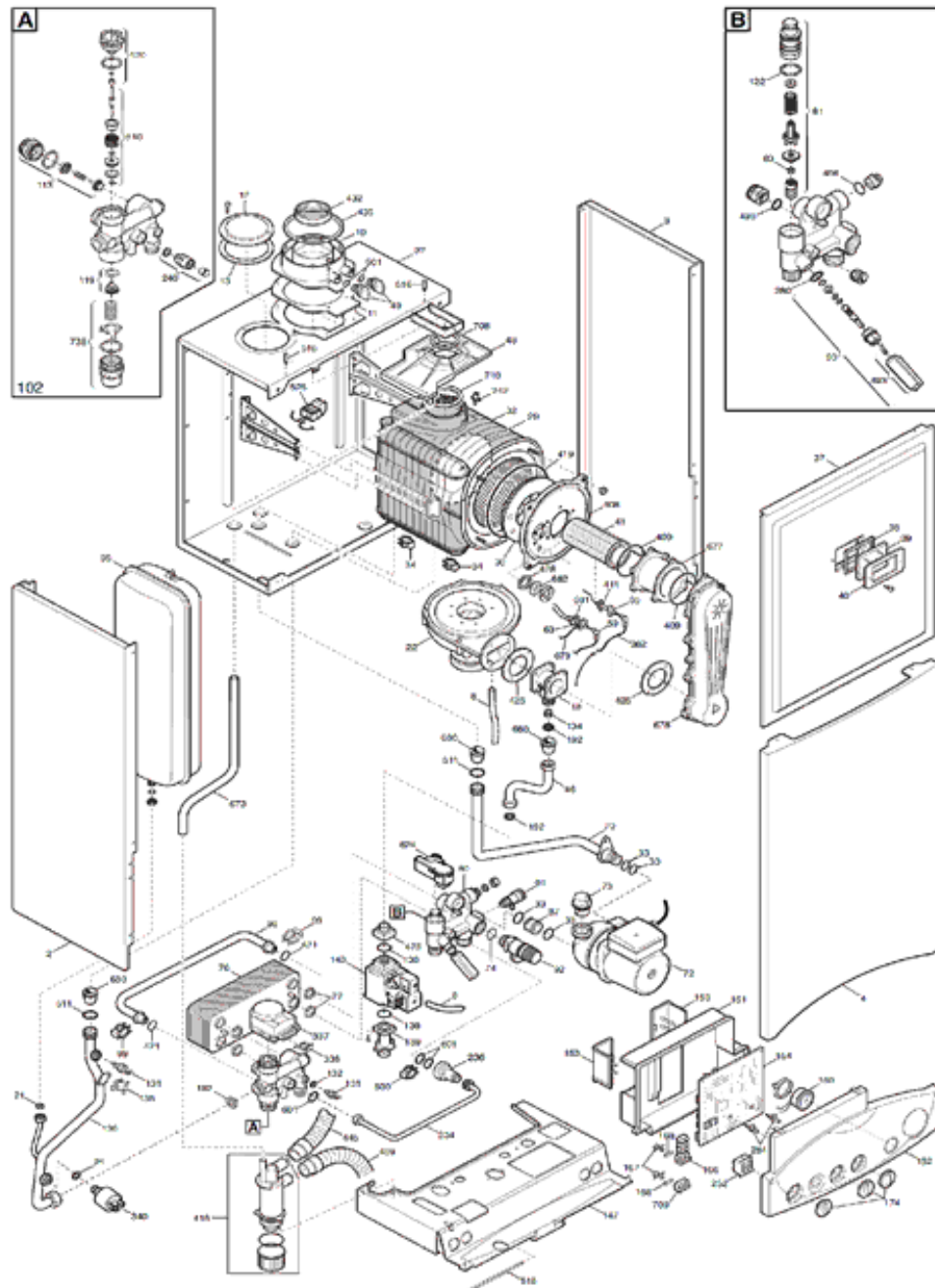
N° 1588

HLN436283321

INITIA 228 HTE

Tab 110

Tab 110



1

HLN436283321 INITIA 228HTE Tab110_VUE



INITIA HTE

| Repère | Référence | Désignation | Quantité |
|--------|-----------|---|----------|
| 2 | SX5113450 | PANNEAU COTE GAUCHE (5113450) | 1,0000 |
| 2 | SX5116220 | PANNEAU COTE GAUCHE (5116220) | 1,0000 |
| 3 | SX5113440 | PANNEAU COTE DROIT (5113440) | 1,0000 |
| 3 | SX5116210 | PANNEAU COTE DROIT (5116210) | 1,0000 |
| 4 | SX5115060 | PANNEAU AVANT (5115060) | 1,0000 |
| 4 | SX5116710 | PANNEAU AVANT | 1,0000 |
| 8 | SX5410790 | TUBE SILICONE PRESSOSTAT (5410790) | 1,0000 |
| 10 | SX5409020 | RACCORDEMENT VENTOUSE (5409020) | 1,0000 |
| 11 | SX5409010 | JOINT VENTOUSE CAOUTCHOUC (5409010) | 1,0000 |
| 12 | SX5108690 | OBTURATEUR (5108690) | 1,0000 |
| 13 | SX5407400 | JOINT OBTURATEUR DECOUPE (x3) | 1,0000 |
| 18 | SX5663490 | VENTURI D=21 (5663490) | 1,0000 |
| 21 | SX5402050 | JOINT 6,1x11,5x1,5 (X3) | 1,0000 |
| 22 | SX5662680 | VENTILATEUR RG 128/1300 | 1,0000 |
| 22 | SX5682500 | VENTILATEUR RG 128/1300 | 1,0000 |
| 22 | SX5686970 | VENTILATEUR RG 128/1300 | 1,0000 |
| 22 | SX5691840 | VENTILATEUR RG 128/1300 | 1,0000 |
| 27 | SX5116590 | CHAMBRE ETANCHE | 1,0000 |
| 29 | SX5412010 | PANNEAU ISOLANT ARRIERE (5412010) | 1,0000 |
| 30 | SX5411020 | PANNEAU ISOLANT (5411020) | 1,0000 |
| 32 | SX5671950 | ECHANGEUR PRINCIPAL 5E (5671950) | 1,0000 |
| 33 | SX5403130 | O-RING 22X3 EPDM (x3) (5403130) | 1,0000 |
| 34 | SX8380860 | CLIPS ECHANGEUR PRINCIPAL | 1,0000 |
| 35 | SX5662620 | VASE D'EXPANSION 8L (5662620) | 1,0000 |
| 37 | SX5672080 | PANNEAU AVANT CHAMBRE ETANCHE (5672080) | 1,0000 |
| 37 | SX5689640 | PANNEAU AVANT CHAMBRE ETANCHE (5689640) | 1,0000 |
| 38 | SX5401610 | JOINT HUBLLOT (x3) (5401610) | 1,0000 |
| 39 | SX5203930 | HUBLLOT (5203930) | 1,0000 |
| 40 | SX5103360 | COUVERCLE HUBLLOT (5103360) | 1,0000 |
| 41 | SX5672010 | BRULEUR 5 E (5672010) | 1,0000 |
| 46 | SX5672030 | TUBE GAZ (5672030) | 1,0000 |
| 48 | SX5412170 | PLATEAU PORTE CONDENSATION (5412170) | 1,0000 |
| 49 | SX5409280 | BOUCHON RACCORD.VENTOUSE (5409280) | 1,0000 |
| 59 | SX8511140 | CABLE ELECT.ALLUMAGE (8511140) | 1,0000 |

INITIA HTE

| Repère | Référence | Désignation | Quantité |
|--------|-----------|--|----------|
| 59 | SX8513520 | CABLE ELECT.D'ALLUMAGE L=250 | 1,0000 |
| 63 | SX8422830 | ELECTRODE D'ALLUMAGE LUNA HTE (8422830) | 1,0000 |
| 63 | SX0220000 | BOUGIE ALLUMAGE (710220002) | 1,0000 |
| 65 | SX8422840 | ELECTRODE IONIS.LUNA HTE (8422840) | 1,0000 |
| 65 | SX0220700 | ELECT.D'IONISATION LUNA HTE | 1,0000 |
| 70 | SX5672040 | TUBE POMPE ECHANGEUR (5672040) | 1,0000 |
| 72 | SX5655620 | POMPE GRUNDFOS 15/60 (5655620) | 1,0000 |
| 73 | SX0607290 | DEGAZEUR (607290) | 1,0000 |
| 74 | SX5406360 | O-RING 14X1,78 (x3) | 1,0000 |
| 75 | SX5409240 | JOINT TUBE/CAISSON D:10 (5409240) | 1,0000 |
| 76 | SX5652190 | ECHANGEUR SANITAIRE 22 PLAQUES (5652190) | 1,0000 |
| 76 | SX5686700 | ECHANGEUR SANITAIRE 22 PLAQUES (5686700) | 1,0000 |
| 76 | SX5689930 | ECHANGEUR SANITAIRE 20 PLAQUES (5689930) | 1,0000 |
| 77 | SX5404520 | JOINT ECHANGEUR SANITAIRE(x4) (PDM5404520) | 1,0000 |
| 80 | SX5671530 | GR. ENT SANIT.8L/RET CHAUFF | 1,0000 |
| 81 | SX0617060 | GROUPE FILTRE LIMITEUR 8L (0617060) | 1,0000 |
| 83 | SX5666110 | LIMITEUR DEBIT SANIT.8L/MN | 1,0000 |
| 87 | SX5210710 | ELEMENT DE CONNECTION POMPE (5210710) | 1,0000 |
| 90 | SX0611930 | ROBINET DE REMPLISSAGE (611930) | 1,0000 |
| 91 | SX5652030 | ROBINET DE VIDANGE (PDM5652030) | 1,0000 |
| 92 | SX9951170 | SOUPAPE DE SECURITE 3BARS (9951170) | 1,0000 |
| 98 | SX5212890 | TUBE BY-PASS (5212890) | 1,0000 |
| 99 | SX8380850 | CLIP TUBE BY-PASS | 1,0000 |
| 102 | SX5671520 | ENS.VANNE 3 VOIES (5671520) | 1,0000 |
| 113 | SX0617100 | GROUPE BY-PASS | 1,0000 |
| 118 | SX8380520 | RESSORT BY-PASS (8380520) | 1,0000 |
| 119 | SX0605760 | CLAPET CHAUFFAGE V3V (605760) | 1,0000 |
| 120 | SX0600750 | BOUCHON V3V CHAUFFAGE | 1,0000 |
| 122 | SX5405370 | O-RING "FILTRE SANITAIRE" (x3) (5405370) | 1,0000 |
| 131 | SX8434840 | SONDE CTN CH et SN HTE (8434840) | 1,0000 |
| 131 | SX8435400 | SONDE CTN (8435400) | 1,0000 |
| 132 | SX5402830 | JOINT SOND SANITAIRE (X10) (PDM5402830) | 1,0000 |
| 134 | SX5212140 | DIAPHRAGME GAZ D:7,5 (5212140) | 1,0000 |
| 135 | SX9950760 | SECURITE SURCHAUFFE 105° (9950760) | 1,0000 |

INITIA HTE

| Repère | Référence | Désignation | Quantité |
|--------|-----------|---|----------|
| 136 | SX5672050 | TUBE V3V/ECHANGEUR (5672050) | 1,0000 |
| 138 | SX5402010 | JOINT O-RING (x3) (PDM5402010) | 1,0000 |
| 139 | SX5206620 | RACCORD ENTREE GAZ (5206620) | 1,0000 |
| 140 | SX5671930 | VANNE GAZ SIT 848 SIGMA <40kw | 1,0000 |
| 147 | SX5662810 | TRAVERSE PLATINE HYDRAULIQUE (5662810) | 1,0000 |
| 151 | SX5407650 | COUVERCLE BOITIER ELECTRIQUE (5407650) | 1,0000 |
| 152 | SX5672220 | PANNEAU CDE INITIA 2.28HTE (5672220) | 1,0000 |
| 153 | SX5407660 | COUVERCLE BRANCHE.ELECTRIQUE (5407660) | 1,0000 |
| 154 | SX5676120 | CIRCUIT IMPRIME LMU34(5676120) | 1,0000 |
| 154 | SX5680240 | CIRCUIT IMPRIME LMU34(5680240) | 1,0000 |
| 154 | SX5684110 | CIRCUIT IMPRIME SIEMENS LMU34B | 1,0000 |
| 154 | SX5686050 | CIRCUIT IMPRIME LMU 34B | 1,0000 |
| 154 | SX5703660 | CIRC.IMPR.LMU34 | 1,0000 |
| 166 | SX8421590 | BORNIER DE RACCORDEMENT (PDM8421590) | 1,0000 |
| 167 | SX5405340 | PORTE-FUSIBLES (x3) (PDM5405340) | 1,0000 |
| 168 | SX9950580 | FUSIBLES 2A 250V (X10) (9950580) | 1,0000 |
| 169 | SX9951020 | MANOMETRE AVEC SUPPORT (9951020) | 1,0000 |
| 169 | SX9951830 | MANOMETRE AVEC SUPPORT (9951830) | 1,0000 |
| 174 | SX5410530 | BOUTON (5410530) | 1,0000 |
| 192 | SX5404650 | JOINT G3/4" 17x24x2 (X10) # | 1,0000 |
| 234 | SX5672190 | TUBE DISCONNECTEUR WATTS (5672190) | 1,0000 |
| 236 | SX5658650 | DISCONNECTEUR WATTS(jjj005658650) | 1,0000 |
| 240 | SX0618480 | CLAPET AVEC RACCORD ET O RING (0618480) | 1,0000 |
| 242 | SX8435270 | SONDE CTN FUMEE | 1,0000 |
| 252 | SX8434550 | SELECTEUR (x2) (8434550) | 1,0000 |
| 280 | SX5207730 | JOINT 14,2X18X1,5 AL-18 (x3) (5207730) | 1,0000 |
| 284 | SX5405990 | PISTON POTENTIOMETRE (5405990) | 1,0000 |
| 336 | SX8380680 | RESSORT FIX MOTEUR V3V | 1,0000 |
| 337 | SX5647340 | MOTEUR V3V ELBI | 1,0000 |
| 337 | SX0188300 | MOTEUR ELBI | 1,0000 |
| 340 | SX5663750 | PRESSOSTAT CHAUFFAGE (5663750) | 1,0000 |
| 340 | SX9951690 | PRESSOSTAT CHAUFFAGE (9951690) | 1,0000 |
| 382 | SX8511130 | CABLE ELECTRODE IONISATION | 1,0000 |
| 408 | SX5212900 | BRIDE CHAMBRE DE COMBUSTION | 1,0000 |

INITIA HTE

| Repère | Référence | Désignation | Quantité |
|--------|-----------|---|----------|
| 409 | SX5410740 | JOINT ECHANGEUR HTE (5410740) | 1,0000 |
| 411 | SX5409110 | JOINT ELECTRODE IONI.(5409110) | 1,0000 |
| 411 | SX0185200 | JOINT ELECTRODE IONISATION | 1,0000 |
| 415 | SX5411660 | BOITIER SIPHON HYDRAULIQUE (5411660) | 1,0000 |
| 415 | SX5682350 | ENS.SIPHON HYDRAULIQUE (5682350) | 1,0000 |
| 417 | SX0615380 | BOUCHON SIPHON HYDRAULIQUE + JOINT (615380) | 1,0000 |
| 419 | SX5411000 | JOINT BRIDE/ECHANGEUR | 1,0000 |
| 421 | SX5413120 | JOINT OR 12X3 EPDM | 1,0000 |
| 423 | SX5210410 | RACCORD VANNE GAZ | 1,0000 |
| 425 | SX5409130 | JOINT EXTRACTEUR (5409130) | 1,0000 |
| 425 | SX5411420 | JOINT EXTRACTEUR (5411420) | 1,0000 |
| 428 | SX5409290 | JOINT HUBLOT (X3) (5409290) | 1,0000 |
| 432 | SX5410420 | JOINT FUMES Ø60 | 1,0000 |
| 435 | SX5407550 | JOINT FUMES Ø100 (5407550) | 1,0000 |
| 445 | SX5410980 | TUBE SIPHON HYDR.2 PRISE L:350 | 1,0000 |
| 459 | SX5411610 | EVACUATION CONDENSAT EPDM | 1,0000 |
| 493 | SX0612130 | ENS.POIGNEE L:50 (612130) | 1,0000 |
| 496 | SX0400020 | O-RING 2062 (x3) (400020) | 1,0000 |
| 498 | SX0400030 | JOINT O RING (0400030) | 1,0000 |
| 510 | SX0600760 | ENS.OBTURATEUR SANITAIRE (600760) | 1,0000 |
| 511 | SX5404600 | O-RING 17,86X2,62 (X3) | 1,0000 |
| 516 | SX5210670 | PISTON (5210670) | 1,0000 |
| 518 | SX5107180 | CHEVILLE PANNEAU CDE (5107180) | 1,0000 |
| 525 | SX8435260 | ALLUMEUR ANSTOS ZAG 2XV01 (8435260) | 1,0000 |
| 600 | SX5112530 | RESSORT FIXATION DISCONNECTEUR (5112530) | 1,0000 |
| 601 | SX5408560 | O-RING 8,73X1,78 (x3) (5408560) | 1,0000 |
| 624 | SX8435280 | CAPTEUR DE HALL (8435280) | 1,0000 |
| 631 | SX5685240 | TUBE DEGAZEUR (5685240) | 1,0000 |
| 647 | SX5652730 | DEGAZEUR G 3/8 (5652730) | 1,0000 |
| 673 | SX5412190 | TUBE EN SILICONE | 1,0000 |
| 677 | SX5212930 | RALLONGE BRULEUR 5E (5212930) | 1,0000 |
| 678 | SX5672130 | ENS.POIGNEE L=50 | 1,0000 |
| 679 | SX8511150 | CABLE MASSE ELECTR.D'ALL.L=270(8511150) | 1,0000 |
| 680 | SX5409250 | JOINT PASSE-TUBE D:15 | 1,0000 |

INITIA HTE

| Repère | Référence | Désignation | Quantité |
|--------|-----------|---------------------------------------|----------|
| 681 | SX5409120 | JOINT ELECTRODE ALLU.(5409120) | 1,0000 |
| 681 | SX0185300 | JOINT ELECTRODE ALLUMAGE | 1,0000 |
| 682 | SX5211800 | HUBLOT (5211800) | 1,0000 |
| 708 | SX5410970 | JOINT D:60 (5410970) | 1,0000 |
| 709 | SX8423160 | DOMINOS PORTE FUSIBLE(8423160) | 1,0000 |
| 710 | SX5411030 | JOINT D:80 (5411030) | 1,0000 |
| 738 | SX0620490 | GROUPE RESSORT BY PASS/JOINT | 1,0000 |
| 999 | SX8414620 | CABLE M1 ALIM ELEC (8414620) | 1,0000 |
| 999 | SX8418860 | CONNECTEUR PONT TIMER (8418860) | 1,0000 |
| 999 | SX8511160 | CABLE X2/ALLUMEUR-VENT | 1,0000 |
| 999 | SX8511170 | CABLE X401/EXTR-TH-CTN | 1,0000 |
| 999 | SX8511180 | CABLE X1/COMMUNATEUR (8511180) | 1,0000 |
| 999 | SX8511190 | CABLE X400/CTN-BALLON-EXT-PRESS | 1,0000 |
| 999 | SX8511210 | CABLE M1/INTER (8511210) | 1,0000 |
| 999 | SX8511220 | CABLE MASSE CIRCUIT IMPRIME (8511220) | 1,0000 |
| 999 | SX8511230 | CABLE MASSE (8511230) | 1,0000 |
| 999 | SX8511610 | CABLE X3/V3V-POMP-VG | 1,0000 |

INITIA HTE



INITIA HTE

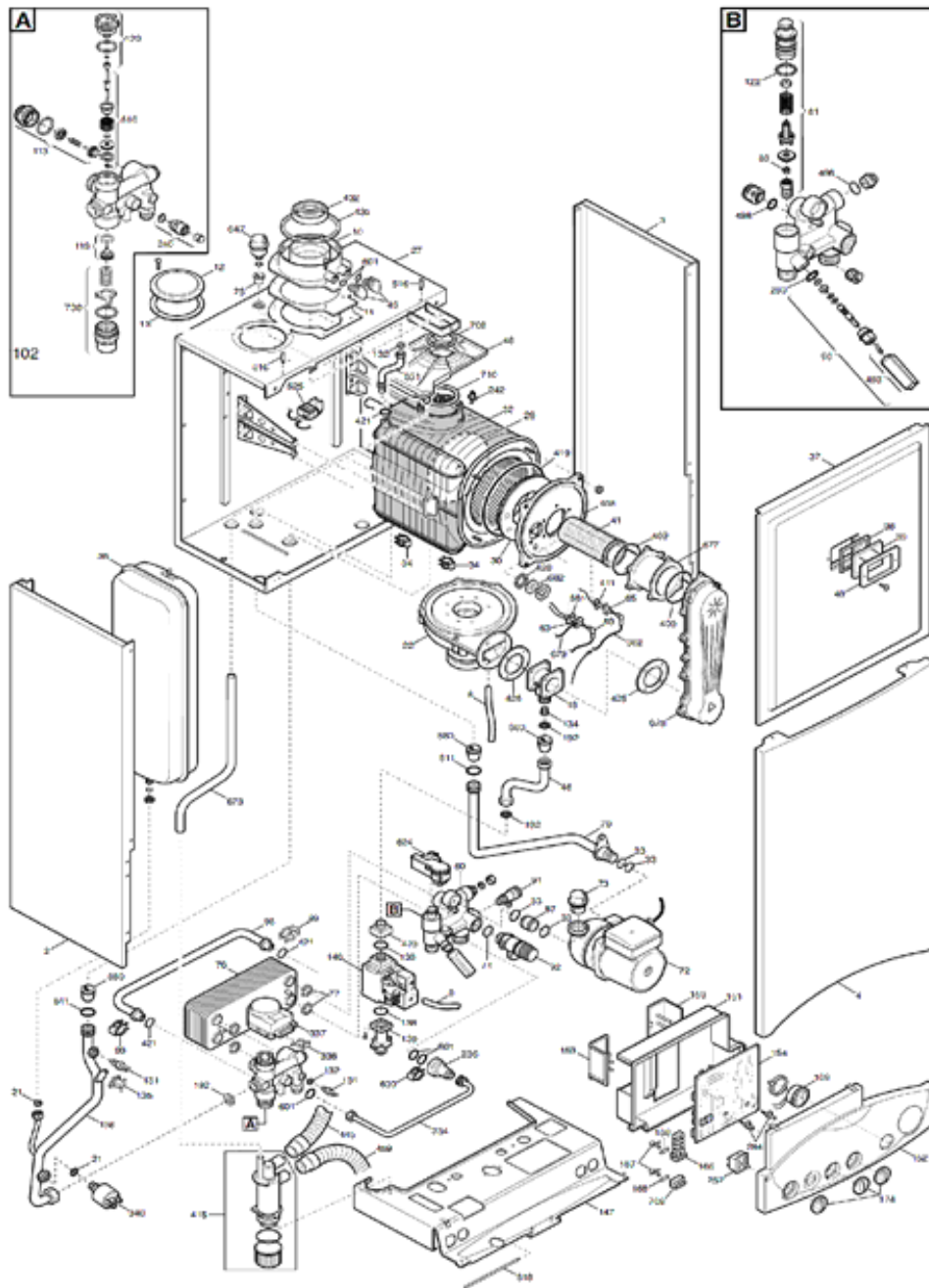
N°1588

HLN436283322

INITIA 2.28 HTE

Tab 90

Tab 90



1

HLN436283322 INITIA 228HTE Tab90_VUE

