

230Vac
V U
N L G D V U Y X

C2 C2 C1 C1
N Y2 Y1 N L2 N Y2 Y1 N L1 N L4 M H1 MDA6 M B1 M B9 M H1 MDA6 M B1 M B9 M BDB

2 2 1 1
N Y2 Y1 N L2 N Y2 Y1 N L1 N L3 N L4 M H2 M H1 MDA7 MDA6 M B7 M B1 M B3 M B2 M B9 M BDB

N L F4 K4 F5 K5 F1 Q1 Q3 F2 Y1 Y2 F6 Q2 Q6 F3 Y5 Y6

DB MB A6 MB B9 M B3 B2 H1 M B1 H2 M B12 A7 MD

DB MB A6 MB B9 B1 M H1
ECO 9
EC1.10C-a C1

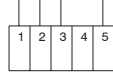
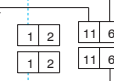
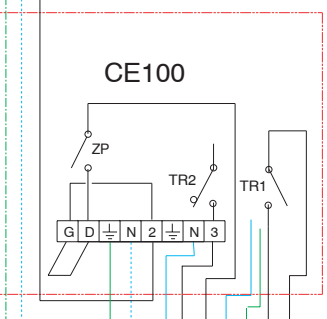
DB MB A6 MB B9 B1 M H1
ECO 9
EC1.10C-a C2

CB120

ECO 5
EC2.32C-a

TELE-SURV

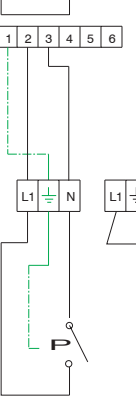
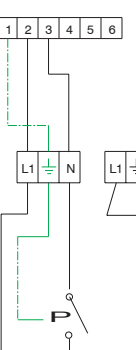
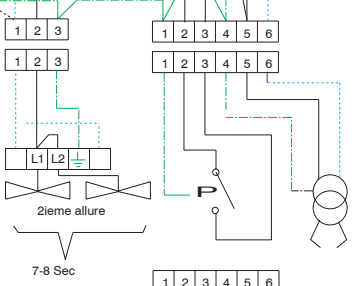
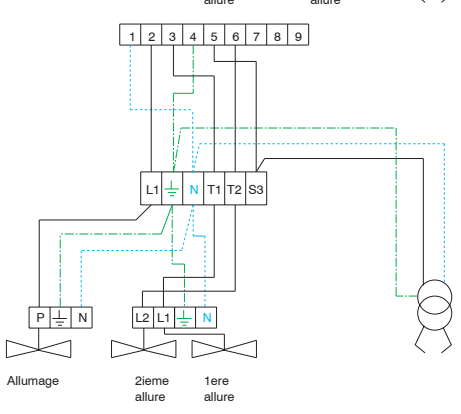
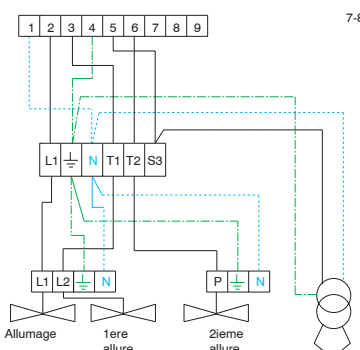
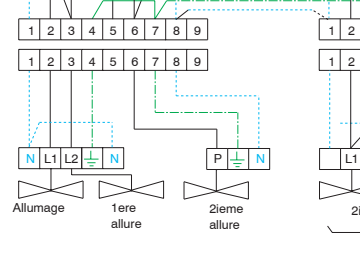
TRANSF ISOL



4-8 sec

9-11 sec

12-22 sec



TSB 4 a 8 sec

TSB 9 sec

TSB 10 a 14 sec

TSB 15 a 22 sec

P/X
136603/01

